



TRAFFIC CRASH REPORT

LOCAL REPORT NUMBER *	16- 15330	CRASH SEVERITY	2 1- FATAL 2- INJURY 3- PDO	HIT/SKIP	2 1- SOLVED 2- UNSOLVED
-----------------------	-----------	----------------	--------------------------------------	----------	-------------------------------

LOCAL INFORMATION		REPORTING AGENCY NCIC *	REPORTING AGENCY NAME *	NUMBER OF UNITS	UNIT IN ERROR
PHOTOS TAKEN <input type="checkbox"/> OH-2 <input type="checkbox"/> OH-1P <input type="checkbox"/> OH-3 <input type="checkbox"/> OTHER	PDO UNDER STATE REPORTABLE DOLLAR AMOUNT	<input type="checkbox"/> PRIVATE PROPERTY	04501 Newark Division of Police	2	2 98 - ANIMAL 99 - UNKNOWN
COUNTY *	CITY *	CITY, VILLAGE, TOWNSHIP *	CRASH DATE *	TIME OF CRASH	DAY OF WEEK
Licking	Newark	Newark	06/14/2016	1303	Tue

DEGREES/MINUTES/SECONDS	DECIMAL DEGREES
LATITUDE ::	LONGITUDE ::
OR	OR
40.063302	82.433804

ROADWAY DIVISION	DIVIDED LANE DIRECTION OF TRAVEL	NUMBER OF THRU LANES	ROAD TYPES OR MILEPOST
<input checked="" type="checkbox"/> DIVIDED <input type="checkbox"/> UNDIVIDED	<input checked="" type="checkbox"/> N - NORTHBOUND <input type="checkbox"/> S - SOUTHBOUND <input type="checkbox"/> E - EASTBOUND <input type="checkbox"/> W - WESTBOUND	2	AL - ALLEY CR - CIRCLE HE - HEIGHTS MP - MILEPOST PL - PLACE ST - STREET WA - WAY AV - AVENUE CT - COURT HW - HIGHWAY PK - PARKWAY RD - ROAD TE - TERRACE BL - BOULEVARD DR - DRIVE LA - LANE PI - PIKE SQ - SQUARE TL - TRAIL

LOCATION ROUTE NUMBER	LOC PREFIX	LOCATION ROAD NAME	LOCATION ROAD TYPE	ROUTE TYPES
SR 16				IR - INTERSTATE ROUTE (INC. TURNPIKE) US - US ROUTE CR - NUMBERED COUNTY ROUTE SR - STATE ROUTE TR - NUMBERED TOWNSHIP ROUTE

DISTANCE FROM REFERENCE	DIR FROM REF	REFERENCE ROUTE	REFERENCE ROUTE NUMBER	REF PREFIX	REFERENCE NAME (ROAD, MILEPOST, HOUSE #)	REFERENCE ROAD TYPE
<input type="checkbox"/> MILES <input type="checkbox"/> FEET <input type="checkbox"/> YARDS	<input type="checkbox"/> N,S <input type="checkbox"/> E,W			<input checked="" type="checkbox"/> N,S <input type="checkbox"/> E,W	21st	ST

REFERENCE POINT USED	CRASH LOCATION	LOCATION OF FIRST HARMFUL EVENT
<input checked="" type="checkbox"/> 1 - INTERSECTION <input type="checkbox"/> 2 - MILE POST <input type="checkbox"/> 3 - HOUSE NUMBER	<input checked="" type="checkbox"/> 07 01 - NOT AN INTERSECTION 02 - FOUR-WAY INTERSECTION 03 - T-INTERSECTION 04 - Y-INTERSECTION 05 - TRAFFIC CIRCLE/ ROUNDABOUT 06 - FIVE-POINT, OR MORE 07 - ON RAMP 08 - OFF RAMP 09 - CROSSOVER 10 - DRIVEWAY/ ALLEY ACCESS 11 - RAILWAY GRADE CROSSING 12 - SHARED-USE PATHS OR TRAILS 99 - UNKNOWN	<input checked="" type="checkbox"/> 1 1 - ON ROADWAY 2 - ON SHOULDER 3 - IN MEDIAN 4 - ON ROADSIDE 5 - ON GORE 6 - OUTSIDE TRAFFICWAY 9 - UNKNOWN

ROAD CONTOUR	ROAD CONDITIONS	WEATHER
<input checked="" type="checkbox"/> 2 1 - STRAIGHT LEVEL 2 - STRAIGHT GRADE 3 - CURVE LEVEL 4 - CURVE GRADE 9 - UNKNOWN	<input checked="" type="checkbox"/> 01 PRIMARY SECONDARY 01 - DRY 02 - WET 03 - SNOW 04 - ICE 05 - SAND, MUD, DIRT, OIL, GRAVEL 06 - WATER (STANDING, MOVING) 07 - SLUSH 08 - DEBRIS*	<input checked="" type="checkbox"/> 2 1 - CLEAR 2 - CLOUDY 3 - FOG, SMOG, SMOKE 4 - RAIN 5 - SLEET, HAIL 6 - SNOW 7 - SEVERE CROSSWINDS 8 - BLOWING SAND, SOIL, DIRT, SNOW 9 - OTHER/UNKNOWN

MANNER OF CRASH COLLISION/IMPACT	WEATHER
<input checked="" type="checkbox"/> 7 1 - NOT COLLISION BETWEEN TWO MOTOR VEHICLES IN TRANSPORT 2 - REAR-END 3 - HEAD-ON 4 - REAR-TO-REAR 5 - BACKING 6 - ANGLE 7 - SIDESWIPE, -SAME DIRECTION 8 - SIDESWIPE, OPPOSITE DIRECTION 9 - UNKNOWN	<input checked="" type="checkbox"/> 2 1 - CLEAR 2 - CLOUDY 3 - FOG, SMOG, SMOKE 4 - RAIN 5 - SLEET, HAIL 6 - SNOW 7 - SEVERE CROSSWINDS 8 - BLOWING SAND, SOIL, DIRT, SNOW 9 - OTHER/UNKNOWN

ROAD SURFACE	LIGHT CONDITIONS	SCHOOL BUS RELATED
<input checked="" type="checkbox"/> 2 1 - CONCRETE 2 - BLACKTOP, BITUMINOUS, ASPHALT 3 - BRICK/BLOCK 4 - SLAG, GRAVEL, STONE 5 - DIRT 6 - OTHER	<input checked="" type="checkbox"/> 1 PRIMARY SECONDARY 1 - DAYLIGHT 2 - DAWN 3 - DUSK 4 - DARK - LIGHTED ROADWAY 5 - DARK - ROADWAY NOT LIGHTED 6 - DARK - UNKNOWN ROADWAY LIGHTING 7 - GLARE* 8 - OTHER	<input type="checkbox"/> SCHOOL BUS RELATED <input type="checkbox"/> YES, SCHOOL BUS DIRECTLY INVOLVED <input type="checkbox"/> YES, SCHOOL BUS INDIRECTLY INVOLVED

WORK ZONE RELATED	WORKERS PRESENT	TYPE OF WORK ZONE	LOCATION OF CRASH IN WORK ZONE
<input type="checkbox"/>	<input type="checkbox"/> LAW ENFORCEMENT PRESENT (OFFICER/VEHICLE) <input type="checkbox"/> LAW ENFORCEMENT PRESENT (VEHICLE ONLY)	<input type="checkbox"/> 1 - LANE CLOSURE <input type="checkbox"/> 2 - LANE SHIFT/ CROSSOVER <input type="checkbox"/> 3 - WORK ON SHOULDER OR MEDIAN 4 - INTERMITTENT OR MOVING WORK 5 - OTHER	<input type="checkbox"/> 1 - BEFORE THE FIRST WORK ZONE WARNING SIGN <input type="checkbox"/> 2 - ADVANCE WARNING AREA <input type="checkbox"/> 3 - TRANSITION AREA 4 - ACTIVITY AREA 5 - TERMINATION AREA

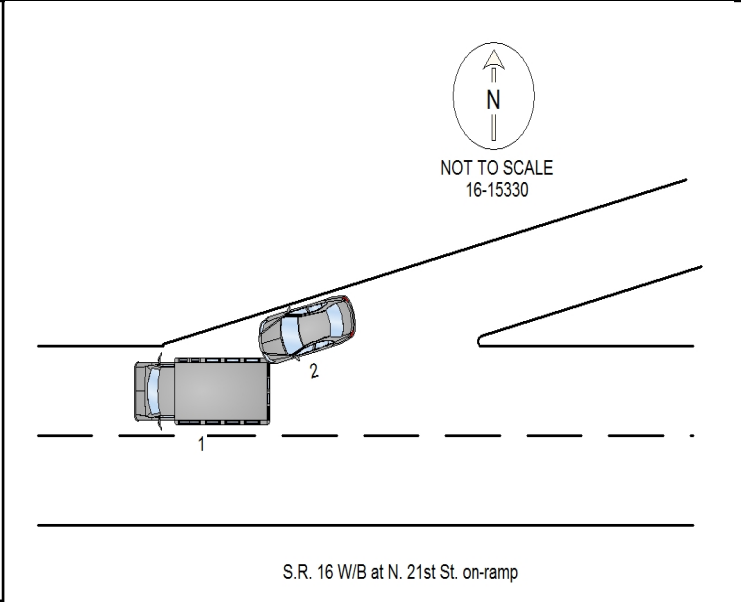
NARRATIVE

Unit #1 was traveling W/B on S.R. 16 in the area of N. 21st St.

Unit #2 was W/B on the on-ramp to S.R. 16 from N. 21st St.

Unit #2 failed to obey the Yield sign and merged into traffic striking Unit #1 in the right rear.

Unit #2 at fault for Failure to Yield and Marked Lanes.



REPORT TAKEN BY	SUPPLEMENT (CORRECTION OR ADDITION TO AN EXISTING REPORT SENT TO ODPS)					
<input checked="" type="checkbox"/> POLICE AGENCY <input type="checkbox"/> MOTORIST						
DATE CRASH REPORTED	TIME CRASH REPORTED	DISPATCH TIME	ARRIVAL TIME	TIME CLEARED	OTHER INVESTIGATION TIME	TOTAL MINUTES
06/14/2016	1303	1304	1308	1354	0	50
OFFICER'S NAME*	OFFICER'S BADGE NUMBER	CHECKED BY				
Henery, Shawn	2580	2811				



UNIT

LOCAL REPORT NUMBER

16- 15330

UNIT NUMBER 1	OWNER NAME: LAST, FIRST, MIDDLE (<input type="checkbox"/> SAME AS DRIVER) Licking Co Commisioners, ,	OWNER PHONE NUMBER 740-670-5185	DAMAGE SCALE 2	DAMAGE AREA FRONT REAR
OWNER ADDRESS: CITY, STATE, ZIP (<input type="checkbox"/> SAME AS DRIVER) 745 Main St E, Newark, OH, 43055			1 - NONE	
LP STATE OH	LICENSE PLATE NUMBER 079YLN	VEHICLE IDENTIFICATION NUMBER 1FDEE3FS3CDA71235	2 - MINOR	
VEHICLE YEAR 2012	VEHICLE MAKE Ford	VEHICLE MODEL Bus Chassis Cow - B61	3 - FUNCTIONAL	
PROOF OF INSURANCE SHOWN <input checked="" type="checkbox"/>	INSURANCE COMPANY Old Republic	POLICY NUMBER 24147	4 - DISABLING	
TOWED BY				9 - UNKNOWN

CARRIER NAME, ADDRESS, CITY, STATE, ZIP	CARRIER PHONE
---	---------------

US DOT	VEHICLE WEIGHT GVWR/GCWR <input type="checkbox"/> 1 - LESS THAN OR EQUAL TO 10K LBS <input type="checkbox"/> 2 - 10,001 TO 26,000K LBS <input type="checkbox"/> 3 - MORE THAN 26,000K LBS.	CARGO BODY TYPE 02 01 - NO CARGO BODY TYPE/NOT APPLICABL 02 - BUS/VAN (9-15 SEATS, INC DRIVER) 03 - BUS (16+ SEATS, INC DRIVER) 04 - VEHICLE TOWING ANOTHER VEHICLE 05 - LOGGING 06 - INTERMODAL CONTAINER CHASIS 07 - CARGO VAN/ENCLOSED BOX 08 - GRAIN, CHIPS, GRAVEL	TRAFFICWAY DESCRIPTION 4 1 - T WO-WAY, NOT DIVIDED 2 - T WO-WAY, NOT DIVIDED, CONTINUOUS LEFT TURN LANE 3 - T WO-WAY, DIVIDED, UNPROTECTED (PAINTED OR GRASS >4FT.) MEDIA 4 - T WO-WAY, DIVIDED, POSITIVE MEDIAN BARRIER 5 - ONE-WAY TRAFFICWAY
HM PLACARD ID NO.	HAZARDOUS MATERIAL RELATED <input type="checkbox"/>	09 - POLE 10 - CARGO TANK 11 - FLAT BED 12 - DUMP 13 - CONCRETE MIXER 14 - AUTO TRANSPORTER 15 - GARBAGE /REFUSE 99 - OTHER/UNKNOWN	<input type="checkbox"/> HIT / SKIP UNIT
HM CLASS NUMBER			

NON-MOTORIST LOCATION PRIOR TO IMPACT <input type="checkbox"/> 01 - INTERSECTION - MARKED CROSSWALK <input type="checkbox"/> 02 - INTERSECTION - NO CROSSWALK <input type="checkbox"/> 03 - INTERSECTION OTHER <input type="checkbox"/> 04 - MIDBLOCK - MARKED CROSSWALK <input type="checkbox"/> 05 - TRAVEL LANE - OTHER LOCATION <input type="checkbox"/> 06 - BICYCLE LANE <input type="checkbox"/> 07 - SHOULDER/ROADSIDE <input type="checkbox"/> 08 - SIDEWALK <input type="checkbox"/> 09 - MEDIAN/CROSSING ISLAND <input type="checkbox"/> 10 - DRIVE WAY ACCESS <input type="checkbox"/> 11 - SHARED-USE PATH OR TRAIL <input type="checkbox"/> 12 - NON-TRAFFICWAY AREA <input type="checkbox"/> 99 - OTHER/UNKNOWN	TYPE OF USE 3 1 - PERSONAL 2 - COMMERCIAL 3 - GOVERNMENT <input type="checkbox"/> IN EMERGENCY RESPONSE	UNIT TYPE 21 99 - UNKNOWN OR HIT/SKIP PASSENGER VEHICLES (LESS THAN 9 PASSENGERS) 01 - SUB-COMPACT 02 - COMPACT 03 - MID SIZE 04 - FULL SIZE 05 - MINIVAN 06 - SPORT UTILITY VEHICLE 07 - PICKUP 08 - VAN 09 - MOTORCYCLE 10 - MOTORIZED BICYCLE 11 - SNOWMOBILE/ATV 12 - OTHER PASSENGER VEHICLE MED/HEAVY TRUCKS OR COMBO UNITS > 10K LBS BUS/VAN/LMO(9 OR MORE INCLUDING DRIVER) 13 - SINGLE UNIT TRUCK OR VAN 2AXLE, 6 TIRES 14 - SINGLE UNIT TRUCK ; 3+ AXLES 15 - SINGLE UNIT TRUCK / TRAILER 16 - TRUCK/TRACTOR (BOBTAIL) 17 - TRACTOR/SEMI-TRAILER 18 - TRACTOR/DOUBLE 19 - TRACTOR/TRIPLES 20 - OTHER MED/HEAVY VEHICLE NON-MOTORIST 21 - BUS/VAN (9-15 SEATS, INC DRIVER) 22 - BUS (16+ SEATS, INC DRIVER) 23 - ANIMAL WITH RIDER 24 - ANIMAL WITH BUGGY, WAGON, SURREY 25 - BICYCLE/PEDACYCLIST 26 - PEDESTRIAN/SKATER 27 - OTHER NON-MOTORIST	<input type="checkbox"/> HAS HM PLACARD
---	---	--	---

SPECIAL FUNCTION 05 01 - NONE 02 - TAXI 03 - RENTAL TRUCK (OVER 10K LBS) 04 - BUS - SCHOOL (PUBLIC OR PRIVATE) 05 - BUS - TRANSIT 06 - BUS - CHARTER 07 - BUS - SHUTTLE 08 - BUS - OTHER	09 - AMBULANCE 10 - FIRE 11 - HIGHWAY MAINTENANCE 12 - MILITARY 13 - POLICE 14 - PUBLIC UTILITY 15 - OTHER GOVERNMENT 16 - CONSTRUCTION EQUIP.	17 - FARM VEHICLE 18 - FARM EQUIPMENT 19 - MOTORHOME 20 - GOLF CART 21 - TRAIN 22 - OTHER (EXPLAIN IN NARRATIVE)	MOST DAMAGED AREA 05 01 - NONE 02 - CENTER FRONT 03 - RIGHT FRONT 04 - RIGHT SIDE 05 - RIGHT REAR 06 - REAR CENTER 07 - LEFT REAR	08 - LEFT SIDE 09 - LEFT FRONT 10 - TOP AND WINDOWS 11 - UNDERCARRIAGE 12 - LOAD/TRAILER 13 - TOTAL (ALL AREAS) 14 - OTHER	99 - UNKNOWN	ACTION 4 1 - NON-CONTACT 2 - NON-COLLISION 3 - STRIKING 4 - STRUCK 5 - STRIKING/STRUCK 9 - UNKNOWN
--	---	---	--	--	--------------	--

PRE-CRASH ACTIONS 01 99 - UNKNOWN	MOTORIST 01 - STRAIGHT AHEAD 02 - BACKING 03 - CHANGING LANES 04 - OVERTAKING/PASSING 05 - MAKING RIGHT TURN 06 - MAKING LEFT TURN	07 - MAKING U-TURN 08 - ENTERING TRAFFIC LANE 09 - LEAVING TRAFFIC LANE 10 - PARKED 11 - SLOWING OR STOPPED IN TRAFFIC 12 - DRIVERLESS	13 - NEGOTIATING A CURVE 14 - OTHER MOTORIST ACTION	NON-MOTORIST 15 - ENTERING OR CROSSING SPECIFIED LOCATIO 16 - WALKING, RUNNING, JOGGING, PLAYING, CYCLING 17 - WORKING 18 - PUSHING VEHICLE 19 - APPROACHING OR LEAVING VEHICLE 20 - STANDING	21 - OTHER NON-MOTORIST ACTION
--	--	---	--	---	--------------------------------

CONTRIBUTING CIRCUMSTANCE PRIMARY 01 99 - UNKNOWN	MOTORIST 01 - NONE 02 - FAILURE TO YIELD 03 - RAN RED LIGHT 04 - RAN STOP SIGN 05 - EXCEEDED SPEED LIMIT 06 - UNSAFE SPEED 07 - IMPROPER TURN 08 - LEFT OF CENTER 09 - FOLLOWED TOO CLOSELY/ACDA 10 - IMPROPER LANE CHANGE /PASSING/OFF ROAD	NON-MOTORIST 11 - IMPROPER BACKING 12 - IMPROPER START FROM PARKED POSITION 13 - STOPPED OR PARKED ILLEGALLY 14 - OPERATING VEHICLE IN NEGLIGENT MANNER 15 - SWERING TO AVOID (DUE TO EXTERNAL CONDITIONS) 16 - WRONG SIDE/WRONG WAY 17 - FAILURE TO CONTROL 18 - VISION OBSTRUCTION 19 - OPERATING DEFECTIVE EQUIPMENT 20 - LOAD SHIFTING/FALLING/SPILLING 21 - OTHER IMPROPER ACTION	VEHICLE DEFECTS <input type="checkbox"/> 01 - TURN SIGNALS 02 - HEAD LAMPS 03 - TAIL LAMPS 04 - BRAKES 05 - STEERING 06 - TIRE BLOWOUT 07 - WORN OR SLICK TIRES 08 - TRAILER EQUIPMENT DEFECTIVE 09 - MOTOR TROUBLE 10 - DISABLED FROM PRIOR ACCIDENT 11 - OTHER DEFECTS
---	--	---	---

SEQUENCE OF EVENTS 1 20 2 <input type="checkbox"/> 3 <input type="checkbox"/> 4 <input type="checkbox"/> 5 <input type="checkbox"/> 6 <input type="checkbox"/> FIRST HARMFUL EVENT 1 MOST HARMFUL EVENT 1 99 - UNKNOWN	NON-COLLISION EVENTS 01 - OVERTURN/ROLLOVER 02 - FIRE/EXPLOSION 03 - IMMERSION 04 - JACKKNIFE 05 - CARGO/EQUIPMENT LOSS OR SHIFT 06 - EQUIPMENT FAILURE (BLOWN TIRE, BRAKE FAILURE, ETC) 07 - SEPARATION OF UNITS 08 - RAN OFF ROAD RIGHT 09 - RAN OFF ROAD LEFT	10 - CROSS MEDIAN 11 - CROSS CENTER LINE OPPOSITE DIRECTION OF TRAVEL 12 - DOWNHILL RUNAWAY 13 - OTHER NON-COLLISION
COLLISION WITH PERSON, VEHICLE OR OBJECT NOT FIXED 14 - PEDESTRIAN 15 - PEDALCYCLE 16 - RAILWAY VEHICLE (TRAIN, ENGINE) 17 - ANIMAL - FARM 18 - ANIMAL - DEER 19 - ANIMAL-OTHER 20 - MOTOR VEHICLE IN TRANSPORT 21 - PARKED MOTOR VEHICLE 22 - WORK ZONE MAINTENANCE EQUIPMENT 23 - STRUCK BY FALLING, SHIFTING CARGO OR ANYTHING SET IN MOTION BY A MOTOR VEHICLE 24 - OTHER MOVABLE OBJECT 25 - IMPACT ATTENUATOR/CRASH CUSHION 26 - BRIDGE OVERHEAD STRUCTURE 27 - BRIDGE PIER OR ABUTMENT 28 - BRIDGE PARAPET 29 - BRIDGE RAIL 30 - GUARDRAIL FACE 31 - GUARDRAIL END 32 - PORTABLE BARRIER 33 - MEDIAN CABLE BARRIER 34 - MEDIAN GUARDRAIL BARRIER 35 - MEDIAN CONCRETE BARRIER 36 - MEDIAN OTHER BARRIER 37 - TRAFFIC SIGN POST 38 - OVERHEAD SIGN POST 39 - LIGHT/LUMINARIES SUPPORT 40 - UTILITY POLE 41 - OTHER POST, POLE OR SUPPORT 42 - CULVERT 43 - CURB 44 - DITCH 45 - EMBANKMENT 46 - FENCE 47 - MAILBOX 48 - TREE 49 - FIRE HYDRANT 50 - WORK ZONE MAINTENANCE EQUIPMENT 51 - WALL, BUILDING, TUNNEL 52 - OTHER FIXED OBJECT		

UNIT SPEED 55 <input type="checkbox"/> STATED <input checked="" type="checkbox"/> ESTIMATED	POSTED SPEED 55	TRAFFIC CONTROL 01 01 - NO CONTROLS 02 - STOP SIGN 03 - YIELD SIGN 04 - TRAFFIC SIGNAL 05 - TRAFFIC FLASHERS 06 - SCHOOL ZONE 07 - RAILROAD CROSSBUCKS 08 - RAILROAD FLASHERS 09 - RAILROAD GATES 10 - COSTRUCTION BARRICADE 11 - PERSON (FLAGGER, OFFICER 12 - PAVEMENT MARKINGS 13 - CROSSWALK LINES 14 - WALK/DON'T WALK 15 - OTHER 16 - NOT REPORTED	UNIT DIRECTION FROM 3 TO 4 1 - NORTH 2 - SOUTH 3 - EAST 4 - WEST 5 - NORTHEAST 6 - NORTHWEST 7 - SOUTHEAST 8 - SOUTHWEST 9 - UNKNOWN
---	---------------------------	--	--



UNIT

LOCAL REPORT NUMBER

16- 15330

UNIT NUMBER 2	OWNER NAME: LAST, FIRST, MIDDLE (<input type="checkbox"/> SAME AS DRIVER) White, Janet, S	OWNER PHONE NUMBER 740-975-4156	DAMAGE SCALE 3	DAMAGE AREA FRONT REAR	
OWNER ADDRESS: CITY, STATE, ZIP (<input type="checkbox"/> SAME AS DRIVER) 41 22nd St N, Newark, OH, 43055			1 - NONE		
LP STATE OH	LICENSE PLATE NUMBER 979YAC	VEHICLE IDENTIFICATION NUMBER 1C3CDZAG9EN219250	# OCCUPANTS 1		2 - MINOR
VEHICLE YEAR 2014	VEHICLE MAKE Dodge	VEHICLE MODEL Avenger E - A/E	VEHICLE COLOR WHI		3 - FUNCTIONAL
<input type="checkbox"/> PROOF OF INSURANCE SHOWN	INSURANCE COMPANY	POLICY NUMBER	TOWED BY	4 - DISABLING	
CARRIER NAME, ADDRESS, CITY, STATE, ZIP				CARRIER PHONE	

US DOT	VEHICLE WEIGHT GVWR/GCWR <input type="checkbox"/> 1 - LESS THAN OR EQUAL TO 10K LBS <input type="checkbox"/> 2 - 10,001 TO 26,000K LBS <input type="checkbox"/> 3 - MORE THAN 26,000K LBS.	CARGO BODY TYPE 01 01 - NO CARGO BODY TYPE/NOT APPLICABLE 02 - BUS/VAN (9-15 SEATS, INC DRIVER) 03 - BUS (16+ SEATS, INC DRIVER) 04 - VEHICLE TOWING ANOTHER VEHICLE 05 - LOGGING 06 - INTERMODAL CONTAINER CHASIS 07 - CARGO VAN/ENCLOSED BOX 08 - GRAIN, CHIPS, GRAVEL	09 - POLE 10 - CARGO TANK 11 - FLAT BED 12 - DUMP 13 - CONCRETE MIXER 14 - AUTO TRANSPORTER 15 - GARBAGE /REFUSE 99 - OTHER/UNKNOWN	TRAFFICWAY DESCRIPTION 4 1 - T WO-WAY, NOT DIVIDED 2 - T WO-WAY, NOT DIVIDED, CONTINUOUS LEFT TURN LANE 3 - T WO-WAY, DIVIDED, UNPROTECTED (PAINTED OR GRASS >4FT.) MEDIA 4 - T WO-WAY, DIVIDED, POSITIVE MEDIAN BARRIER 5 - ONE-WAY TRAFFICWAY <input type="checkbox"/> HIT / SKIP UNIT
HM PLACARD ID NO.	HAZARDOUS MATERIAL RELATED <input type="checkbox"/>			
HM CLASS NUMBER				

NON-MOTORIST LOCATION PRIOR TO IMPACT <input type="checkbox"/> 01 - INTERSECTION - MARKED CROSSWALK 02 - INTERSECTION - NO CROSSWALK 03 - INTERSECTION OTHER 04 - MIDBLOCK - MARKED CROSSWALK 05 - TRAVEL LANE - OTHER LOCATION 06 - BICYCLE LANE 07 - SHOULDER/ROADSIDE 08 - SIDEWALK 09 - MEDIAN/CROSSING ISLAND 10 - DRIVE WAY ACCESS 11 - SHARED-USE PATH OR TRAIL 12 - NON-TRAFFICWAY AREA 99 - OTHER/UNKNOWN	TYPE OF USE 1 1 - PERSONAL 2 - COMMERCIAL 3 - GOVERNMENT <input type="checkbox"/> IN EMERGENCY RESPONSE	UNIT TYPE 03 99 - UNKNOWN OR HIT/SKIP PASSENGER VEHICLES (LESS THAN 9 PASSENGERS) 01 - SUB-COMPACT 02 - COMPACT 03 - MID SIZE 04 - FULL SIZE 05 - MINIVAN 06 - SPORT UTILITY VEHICLE 07 - PICKUP 08 - VAN 09 - MOTORCYCLE 10 - MOTORIZED BICYCLE 11 - SNOWMOBILE/ATV 12 - OTHER PASSENGER VEHICLE MED/HEAVY TRUCKS OR COMBO UNITS > 10K LBS BUS/VAN/LIMO (9 OR MORE INCLUDING DRIVER) 13 - SINGLE UNIT TRUCK OR VAN 2AXLE, 6 TIRES 14 - SINGLE UNIT TRUCK, 3+ AXLES 15 - SINGLE UNIT TRUCK / TRAILER 16 - TRUCK/TRACTOR (BOBTAIL) 17 - TRACTOR/SEMI-TRAILER 18 - TRACTOR/DOUBLE 19 - TRACTOR/TRIPLES 20 - OTHER MED/HEAVY VEHICLE NON-MOTORIST 21 - BUS/VAN (9-15 SEATS, INC DRIVER) 22 - BUS (16+ SEATS, INC DRIVER) 23 - ANIMAL WITH RIDER 24 - ANIMAL WITH BUGGY, WAGON, SURREY 25 - BICYCLE/PEDACYCLIST 26 - PEDESTRIAN/SKATER 27 - OTHER NON-MOTORIST	<input type="checkbox"/> HAS HM PLACARD
---	---	---	---

SPECIAL FUNCTION 01 01 - NONE 02 - TAXI 03 - RENTAL TRUCK (OVER 10K LBS) 04 - BUS - SCHOOL (PUBLIC OR PRIVATE) 05 - BUS - TRANSIT 06 - BUS - CHARTER 07 - BUS - SHUTTLE 08 - BUS - OTHER	09 - AMBULANCE 10 - FIRE 11 - HIGHWAY MAINTENANCE 12 - MILITARY 13 - POLICE 14 - PUBLIC UTILITY 15 - OTHER GOVERNMENT 16 - CONSTRUCTION EQUIP.	17 - FARM VEHICLE 18 - FARM EQUIPMENT 19 - MOTORHOME 20 - GOLF CART 21 - TRAIN 22 - OTHER (EXPLAIN IN NARRATIVE)	MOST DAMAGED AREA 02 01 - NONE 02 - CENTER FRONT 03 - RIGHT FRONT 04 - RIGHT SIDE 05 - RIGHT REAR 06 - REAR CENTER 07 - LEFT REAR	08 - LEFT SIDE 09 - LEFT FRONT 10 - TOP AND WINDOWS 11 - UNDERCARRIAGE 12 - LOAD/TRAILER 13 - TOTAL (ALL AREAS) 14 - OTHER	99 - UNKNOWN	ACTION 3 1 - NON-CONTACT 2 - NON-COLLISION 3 - STRIKING 4 - STRUCK 5 - STRIKING/STRUCK 9 - UNKNOWN
--	---	---	--	--	--------------	--

PRE-CRASH ACTIONS 08 99 - UNKNOWN	MOTORIST 01 - STRAIGHT AHEAD 02 - BACKING 03 - CHANGING LANES 04 - OVERTAKING/PASSING 05 - MAKING RIGHT TURN 06 - MAKING LEFT TURN	07 - MAKING U-TURN 08 - ENTERING TRAFFIC LANE 09 - LEAVING TRAFFIC LANE 10 - PARKED 11 - SLOWING OR STOPPED IN TRAFFIC 12 - DRIVERLESS	13 - NEGOTIATING A CURVE 14 - OTHER MOTORIST ACTION	NON-MOTORIST 15 - ENTERING OR CROSSING SPECIFIED LOCATION 16 - WALKING, RUNNING, JOGGING, PLAYING, CYCLING 17 - WORKING 18 - PUSHING VEHICLE 19 - APPROACHING OR LEAVING VEHICLE 20 - STANDING	21 - OTHER NON-MOTORIST ACTION
--	--	---	--	--	--------------------------------

CONTRIBUTING CIRCUMSTANCE PRIMARY 02 01 - NONE 02 - FAILURE TO YIELD 03 - RAN RED LIGHT 04 - RAN STOP SIGN 05 - EXCEEDED SPEED LIMIT 06 - UNSAFE SPEED 07 - IMPROPER TURN 08 - LEFT OF CENTER 09 - FOLLOWED TOO CLOSELY/ACDA 99 - UNKNOWN	MOTORIST 01 - NONE 02 - FAILURE TO YIELD 03 - RAN RED LIGHT 04 - RAN STOP SIGN 05 - EXCEEDED SPEED LIMIT 06 - UNSAFE SPEED 07 - IMPROPER TURN 08 - LEFT OF CENTER 09 - FOLLOWED TOO CLOSELY/ACDA 10 - IMPROPER LANE CHANGE /PASSING/OFF ROAD	NON-MOTORIST 11 - IMPROPER BACKING 12 - IMPROPER START FROM PARKED POSITION 13 - STOPPED OR PARKED ILLEGALLY 14 - OPERATING VEHICLE IN NEGLIGENT MANNER 15 - SWERING TO AVOID (DUE TO EXTERNAL CONDITIONS) 16 - WRONG SIDE/WRONG WAY 17 - FAILURE TO CONTROL 18 - VISION OBSTRUCTION 19 - OPERATING DEFECTIVE EQUIPMENT 20 - LOAD SHIFTING/FALLING/SPILLING 21 - OTHER IMPROPER ACTION	NON-MOTORIST 22 - NONE 23 - IMPROPER CROSSING 24 - DARTING 25 - LYING AND/OR ILLEGALLY IN ROADWAY 26 - FAILURE TO YIELD RIGHT OF WAY 27 - NOT VISIBLE (DARK CLOTHING) 28 - INATTENTIVE 29 - FAILURE TO OBEY TRAFFIC SIGNS /SIGNALS/OFFICER 30 - WRONG SIDE OF THE ROAD 31 - OTHER NON-MOTORIST ACTION	VEHICLE DEFECTS <input type="checkbox"/> 01 - TURN SIGNALS 02 - HEAD LAMPS 03 - TAIL LAMPS 04 - BRAKES 05 - STEERING 06 - TIRE BLOWOUT 07 - WORN OR SLICK TIRES 08 - TRAILER EQUIPMENT DEFECTIVE 09 - MOTOR TROUBLE 10 - DISABLED FROM PRIOR ACCIDENT 11 - OTHER DEFECTS
--	--	---	---	---

SEQUENCE OF EVENTS 1 20 2 <input type="checkbox"/> 3 <input type="checkbox"/> 4 <input type="checkbox"/> 5 <input type="checkbox"/> 6 <input type="checkbox"/> FIRST HARMFUL EVENT 1 MOST HARMFUL EVENT 1 99 - UNKNOWN	NON-COLLISION EVENTS 01 - OVERTURN/ROLLOVER 02 - FIRE/EXPLOSION 03 - IMMERSION 04 - JACKKNIFE 05 - CARGO/EQUIPMENT LOSS OR SHIFT 06 - EQUIPMENT FAILURE (BLOWN TIRE, BRAKE FAILURE, ETC) 07 - SEPARATION OF UNITS 08 - RAN OFF ROAD RIGHT 09 - RAN OFF ROAD LEFT	10 - CROSS MEDIAN 11 - CROSS CENTER LINE OPPOSITE DIRECTION OF TRAVEL 12 - DOWNHILL RUNAWAY 13 - OTHER NON-COLLISION
COLLISION WITH PERSON, VEHICLE OR OBJECT NOT FIXED 14 - PEDESTRIAN 15 - PEDALCYCLE 16 - RAILWAY VEHICLE (TRAIN, ENGINE) 17 - ANIMAL - FARM 18 - ANIMAL - DEER 19 - ANIMAL - OTHER 20 - MOTOR VEHICLE IN TRANSPORT 21 - PARKED MOTOR VEHICLE 22 - WORK ZONE MAINTENANCE EQUIPMENT 23 - STRUCK BY FALLING, SHIFTING CARGO OR ANYTHING SET IN MOTION BY A MOTOR VEHICLE 24 - OTHER MOVABLE OBJECT 25 - IMPACT ATTENUATOR/CRASH CUSHION 26 - BRIDGE OVERHEAD STRUCTURE 27 - BRIDGE PIER OR ABUTMENT 28 - BRIDGE PARAPET 29 - BRIDGE RAIL 30 - GUARDRAIL FACE 31 - GUARDRAIL END 32 - PORTABLE BARRIER 33 - MEDIAN CABLE BARRIER 34 - MEDIAN GUARDRAIL BARRIER 35 - MEDIAN CONCRETE BARRIER 36 - MEDIAN OTHER BARRIER 37 - TRAFFIC SIGN POST 38 - OVERHEAD SIGN POST 39 - LIGHT/LUMINARIES SUPPORT 40 - UTILITY POLE 41 - OTHER POST, POLE OR SUPPORT 42 - CULVERT 43 - CURB 44 - DITCH 45 - EMBANKMENT 46 - FENCE 47 - MAILBOX 48 - TREE 49 - FIRE HYDRANT 50 - WORK ZONE MAINTENANCE EQUIPMENT 51 - WALL, BUILDING, TUNNEL 52 - OTHER FIXED OBJECT		

UNIT SPEED 45 <input type="checkbox"/> STATED <input checked="" type="checkbox"/> ESTIMATED	POSTED SPEED 55	TRAFFIC CONTROL 03 01 - NO CONTROLS 02 - STOP SIGN 03 - YIELD SIGN 04 - TRAFFIC SIGNAL 05 - TRAFFIC FLASHERS 06 - SCHOOL ZONE 07 - RAILROAD CROSSBUCKS 08 - RAILROAD FLASHERS 09 - RAILROAD GATES 10 - CONSTRUCTION BARRICADE 11 - PERSON (FLAGGER, OFFICER) 12 - PAVEMENT MARKINGS 13 - CROSSWALK LINES 14 - WALK/DON'T WALK 15 - OTHER 16 - NOT REPORTED	UNIT DIRECTION FROM 3 TO 4 1 - NORTH 2 - SOUTH 3 - EAST 4 - WEST 5 - NORTHEAST 6 - NORTHWEST 7 - SOUTHEAST 8 - SOUTHWEST 9 - UNKNOWN
---	---------------------------	--	--



MOTORIST / NON-MOTORIST / OCCUPANT

LOCAL REPORT NUMBER
16- 15330

UNIT NUMBER 1	NAME: LAST, FIRST, MIDDLE Skinner, Mark, C	DATE OF BIRTH 11/09/1955	AGE 60	GENDER <input checked="" type="checkbox"/> M F - FEMALE M - MALE
------------------	---	-----------------------------	-----------	--

ADDRESS, CITY, STATE, ZIP 507 Woodland Dr, Newark, OH, 43055	CONTACT PHONE - INCLUDE AREA CODE 740-670-5185
---	---

INJURIES <input checked="" type="checkbox"/> 1	INJURED TAKEN BY <input checked="" type="checkbox"/> 1	EMS AGENCY	MEDICAL FACILITY INJURED TAKEN TO	SAFETY EQUIPMENT USED 04	DOT COMPLIANT MOTORCYCLE HELMET <input type="checkbox"/>	SEATING POSITION <input checked="" type="checkbox"/> 01	AIR BAG USAGE <input checked="" type="checkbox"/> 1	EJECTION <input checked="" type="checkbox"/> 1	TRAPPED <input checked="" type="checkbox"/> 1
---	---	------------	-----------------------------------	-----------------------------	---	--	--	---	--

OL STATE OH	OPERATOR LICENSE NUMBER RP517547	OL CLASS <input checked="" type="checkbox"/> 4	No VALID DL <input type="checkbox"/>	M/C END <input type="checkbox"/>	CONDITION <input checked="" type="checkbox"/> 1	ALCOHOL/DRUG SUSPECTED <input checked="" type="checkbox"/> 1	ALCOHOL TEST STATUS <input checked="" type="checkbox"/> 1	ALCOHOL TEST TYPE <input checked="" type="checkbox"/> 1	ALCOHOL TEST VALUE	DRUG TEST STATUS 1	DRUG TEST TYPE 1
----------------	-------------------------------------	---	---	-------------------------------------	--	---	--	--	--------------------	-----------------------	---------------------

OFFENSE CHARGED (LOCAL CODE)	OFFENSE DESCRIPTION	CITATION NUMBER	HANDS-FREE DEVICE USED <input type="checkbox"/>	DRIVER DISTRACTED BY <input checked="" type="checkbox"/> 1
------------------------------	---------------------	-----------------	--	---

UNIT NUMBER 2	NAME: LAST, FIRST, MIDDLE White, Janet, S	DATE OF BIRTH 01/13/1971	AGE 45	GENDER <input checked="" type="checkbox"/> F F - FEMALE M - MALE
------------------	--	-----------------------------	-----------	--

ADDRESS, CITY, STATE, ZIP 41 22nd St N, Newark, OH, 43055	CONTACT PHONE - INCLUDE AREA CODE 740-975-4156
--	---

INJURIES <input checked="" type="checkbox"/> 2	INJURED TAKEN BY <input checked="" type="checkbox"/> 1	EMS AGENCY NFD	MEDICAL FACILITY INJURED TAKEN TO	SAFETY EQUIPMENT USED 04	DOT COMPLIANT MOTORCYCLE HELMET <input type="checkbox"/>	SEATING POSITION <input checked="" type="checkbox"/> 01	AIR BAG USAGE <input checked="" type="checkbox"/> 1	EJECTION <input checked="" type="checkbox"/> 1	TRAPPED <input checked="" type="checkbox"/> 1
---	---	-------------------	-----------------------------------	-----------------------------	---	--	--	---	--

OL STATE OH	OPERATOR LICENSE NUMBER TQ395911	OL CLASS <input checked="" type="checkbox"/> 4	No VALID DL <input type="checkbox"/>	M/C END <input type="checkbox"/>	CONDITION <input checked="" type="checkbox"/> 6	ALCOHOL/DRUG SUSPECTED <input checked="" type="checkbox"/> 4	ALCOHOL TEST STATUS <input type="checkbox"/>	ALCOHOL TEST TYPE <input checked="" type="checkbox"/> 4	ALCOHOL TEST VALUE 000	DRUG TEST STATUS 5	DRUG TEST TYPE 3
----------------	-------------------------------------	---	---	-------------------------------------	--	---	---	--	---------------------------	-----------------------	---------------------

OFFENSE CHARGED (LOCAL CODE)	OFFENSE DESCRIPTION	CITATION NUMBER N200914	HANDS-FREE DEVICE USED <input type="checkbox"/>	DRIVER DISTRACTED BY <input checked="" type="checkbox"/> 1
------------------------------	---------------------	----------------------------	--	---

INJURIES 1 - NO INJURY / NONE REPORTED 2 - POSSIBLE 3 - NON-INCAPACITATING 4 - INCAPACITATING 5 - FATAL	INJURED TAKEN BY 1 - NOT TRANSPORTED / TREATED AT SCENE 2 - EMS 3 - POLICE 4 - OTHER 9 - UNKNOWN	SAFETY EQUIPMENT USED MOTORIST 01 - NONE USED - VEHICLE OCCUPANT 02 - SHOULDER BELT ONLY USED 03 - LAP BELT ONLY USED 04 - SHOULDER AND LAP BELT ONLY USED NON-MOTORIST 05 - CHILD RESTRAINT SYSTEM-FORWARD FACING 06 - CHILD RESTRAINT SYSTEM-REAR FACING 07 - BOOSTER SEAT 08 - HELMET USED 09 - NONE USED 10 - HELMET USED 11 - PROTECTIVE PADS USED (ELBOWS, KNEES, ETC) 12 - REFLECTIVE COATING 13 - LIGHTING 14 - OTHER
--	---	---

SEATING POSITION 01 - FRONT - LEFT SIDE (MOTORCYCLE DRIVER) 02 - FRONT - MIDDLE 03 - FRONT - RIGHT SIDE 04 - SECOND - LEFT SIDE (MOTORCYCLE PASSENGER) 05 - SECOND - MIDDLE 06 - SECOND - RIGHT SIDE 07 - THIRD - LEFT SIDE (MOTORCYCLE SIDE CAR) 08 - THIRD - MIDDLE 09 - THIRD - RIGHT SIDE 10 - SLEEPER SECTION OF CAB (TRUCK) 11 - PASSENGER IN OTHER ENCLOSED CARGO AREA (NON-TRAILING UNIT SUCH AS A BUS, PICKUP WITH CAP) 12 - PASSENGER IN UNENCLOSED CARGO AREA 13 - TRAILING UNIT 14 - RIDING ON VEHICLE EXTERIOR (NON-TRAILING UNIT) 15 - NON-MOTORIST 16 - OTHER 99 - UNKNOWN	AIR BAG USAGE 1 - NOT DEPLOYED 2 - DEPLOYED FRONT 3 - DEPLOYED SIDE 4 - DEPLOYED BOTH FRONT/SIDE 5 - NOT APPLICABLE 9 - DEPLOYMENT UNKNOWN
--	--

EJECTION 1 - NOT EJECTED 2 - TOTALLY EJECTED 3 - PARTIALLY EJECTED 4 - NOT APPLICABLE	TRAPPED 1 - NOT TRAPPED 2 - EXTRICATED BY MECHANICAL MEANS 3 - EXTRICATED BY NON-MECHANICAL MEANS	OPERATOR LICENSE CLASS 1 - CLASS A 2 - CLASS B 3 - CLASS C 4 - REGULAR CLASS (OHIO'S "D") 5 - MC/MOPED ONLY	CONDITION 1 - APPARENTLY NORMAL 2 - PHYSICAL IMPAIRMENT 3 - EMOTIONAL (DEPRESSED, ANGRY, DISTURBED) 4 - ILLNESS	ALCOHOL/DRUG SUSPECTED 5 - FELL ASLEEP, FAINTED, FATIGUE 6 - UNDER THE INFLUENCE OF MEDICATIONS, DRUGS, ALCOHOL 7 - OTHER 1 - NONE 2 - YES - ALCOHOL SUSPECTED 3 - YES - HBD NOT IMPAIRED 4 - YES - DRUGS SUSPECTED 5 - YES - ALCOHOL AND DRUGS SUSPECTED
---	--	--	---	---

ALCOHOL TEST STATUS 1 - NONE GIVEN 2 - TEST REFUSED 3 - TEST GIVEN, CONTAMINATED SAMPLE/UNUSABLE 4 - TEST GIVEN, RESULTS KNOWN 5 - TEST GIVEN, RESULTS UNKNOWN	ALCOHOL TEST TYPE 1 - NONE 2 - BLOOD 3 - URINE 4 - BREATH 5 - OTHER	DRUG TEST STATUS 1 - NONE GIVEN 2 - TEST REFUSED 3 - TEST GIVEN, CONTAMINATED SAMPLE/UNUSABLE 4 - TEST GIVEN, RESULTS KNOWN 5 - TEST GIVEN, RESULTS UNKNOWN	DRUG TEST TYPE 1 - NONE 2 - BLOOD 3 - URINE 4 - OTHER	DRIVER DISTRACTED BY 1 - NO DISTRACTION REPORTED 2 - PHONE 3 - TEXTING/EMAILING 4 - ELECTRONIC COMMUNICATION DEVICE (NAVIGATION DEVICE, RADIO, DVD) 6 - OTHER INSIDE THE VEHICLE 7 - EXTERNAL DISTRACTION
---	--	--	---	---

UNIT NUMBER 1	NAME: LAST, FIRST, MIDDLE Johnson, John, L	DATE OF BIRTH 10/13/1957	AGE 58	GENDER <input checked="" type="checkbox"/> M F - FEMALE M - MALE
------------------	---	-----------------------------	-----------	--

ADDRESS, CITY, STATE, ZIP 33 1/2 Church St W Apt B, Newark, OH, 43055	CONTACT PHONE - INCLUDE AREA CODE 916-640-7634
--	---

INJURIES <input checked="" type="checkbox"/> 1	INJURED TAKEN BY <input type="checkbox"/>	EMS AGENCY	MEDICAL FACILITY INJURED TAKEN TO	SAFETY EQUIPMENT USED 99	DOT COMPLIANT MOTORCYCLE HELMET <input type="checkbox"/>	SEATING POSITION <input checked="" type="checkbox"/> 09	AIR BAG USAGE <input checked="" type="checkbox"/> 5	EJECTION <input checked="" type="checkbox"/> 1	TRAPPED <input checked="" type="checkbox"/> 1
---	--	------------	-----------------------------------	-----------------------------	---	--	--	---	--

UNIT NUMBER 1	NAME: LAST, FIRST, MIDDLE Nelson, Carly, E	DATE OF BIRTH 05/03/2000	AGE 16	GENDER <input checked="" type="checkbox"/> F F - FEMALE M - MALE
------------------	---	-----------------------------	-----------	--

ADDRESS, CITY, STATE, ZIP 107 Dennison St, Hebron, OH, 43025	CONTACT PHONE - INCLUDE AREA CODE 740-360-5215
---	---

INJURIES <input checked="" type="checkbox"/> 1	INJURED TAKEN BY <input type="checkbox"/>	EMS AGENCY	MEDICAL FACILITY INJURED TAKEN TO	SAFETY EQUIPMENT USED 99	DOT COMPLIANT MOTORCYCLE HELMET <input type="checkbox"/>	SEATING POSITION <input checked="" type="checkbox"/> 07	AIR BAG USAGE <input checked="" type="checkbox"/> 5	EJECTION <input checked="" type="checkbox"/> 1	TRAPPED <input checked="" type="checkbox"/> 1
---	--	------------	-----------------------------------	-----------------------------	---	--	--	---	--