



TRAFFIC CRASH REPORT

LOCAL REPORT NUMBER *	CRASH SEVERITY	HIT/SKIP
16- 22005	3 1- FATAL 2- INJURY 3- PDO	<input type="checkbox"/> 1- SOLVED <input type="checkbox"/> 2- UNSOLVED

LOCAL INFORMATION		REPORTING AGENCY NCIC *	REPORTING AGENCY NAME *	NUMBER OF UNITS	UNIT IN ERROR
<input type="checkbox"/> PHOTOS TAKEN <input type="checkbox"/> OH-2 <input type="checkbox"/> OH-1P <input type="checkbox"/> OH-3 <input type="checkbox"/> OTHER	<input type="checkbox"/> PDO UNDER STATE REPORTABLE DOLLAR AMOUNT	<input type="checkbox"/> PRIVATE PROPERTY	04501 Newark Division of Police	1	1 98 - ANIMAL 99 - UNKNOWN
COUNTY *	CITY *	CITY, VILLAGE, TOWNSHIP *	CRASH DATE *	TIME OF CRASH	DAY OF WEEK
Licking	<input type="checkbox"/> CITY * <input type="checkbox"/> VILLAGE* <input type="checkbox"/> TOWNSHIP *	Newark	08/14/2016	0756	Sun

DEGREES/MINUTES/SECONDS	DECIMAL DEGREES
LATITUDE ::	LATITUDE 40.054694
LONGITUDE ::	LONGITUDE 82.403635

ROADWAY DIVISION	DIVIDED LANE DIRECTION OF TRAVEL	NUMBER OF THRU LANES	ROAD TYPES OR MILEPOST
<input type="checkbox"/> DIVIDED <input checked="" type="checkbox"/> UNDIVIDED	<input type="checkbox"/> N - NORTHBOUND E - EASTBOUND <input type="checkbox"/> S - SOUTHBOUND W - WESTBOUND	1	AL - ALLEY CR - CIRCLE HE - HEIGHTS MP - MILEPOST PL - PLACE ST - STREET WA - WAY AV - AVENUE CT - COURT HW - HIGHWAY PK - PARKWAY RD - ROAD TE - TERRACE BL - BOULEVARD DR - DRIVE LA - LANE PI - PIKE SQ - SQUARE TL - TRAIL

LOCATION ROUTE NUMBER	LOC PREFIX	LOCATION ROAD NAME	LOCATION ROAD TYPE	ROUTE TYPES
<input type="checkbox"/> LOCATION ROUTE TYPE	S N,S, E,W	4TH	ST	IR - INTERSTATE ROUTE (INC. TURNPIKE) US - US ROUTE CR - NUMBERED COUNTY ROUTE SR - STATE ROUTE TR - NUMBERED TOWNSHIP ROUTE

DISTANCE FROM REFERENCE	DIR FROM REF	REFERENCE ROUTE	REFERENCE ROUTE NUMBER	REF PREFIX	REFERENCE NAME (ROAD, MILEPOST, HOUSE #)	REFERENCE ROAD TYPE
<input type="checkbox"/> MILES <input type="checkbox"/> FEET <input type="checkbox"/> YARDS	<input type="checkbox"/> N,S, <input type="checkbox"/> E,W	<input type="checkbox"/> LOCATION ROUTE TYPE	75	<input type="checkbox"/> N,S, <input type="checkbox"/> E,W		<input type="checkbox"/> LOCATION ROUTE TYPE

REFERENCE POINT USED	CRASH LOCATION	CRASH LOCATION	INTERSECTION RELATED	LOCATION OF FIRST HARMFUL EVENT
3 1 - INTERSECTION 2 - MILE POST 3 - HOUSE NUMBER	01 01 - NOT AN INTERSECTION 02 - FOUR-WAY INTERSECTION 03 - T-INTERSECTION 04 - Y-INTERSECTION 05 - TRAFFIC CIRCLE/ ROUNDABOUT	06 - FIVE-POINT, OR MORE 07 - ON RAMP 08 - OFF RAMP 09 - CROSSOVER 10 - DRIVEWAY/ ALLEY ACCESS	<input type="checkbox"/> INTERSECTION RELATED	6 1 - ON ROADWAY 5 - ON GORE 2 - ON SHOULDER 6 - OUTSIDE TRAFFICWAY 3 - IN MEDIAN 9 - UNKNOWN 4 - ON ROADSIDE

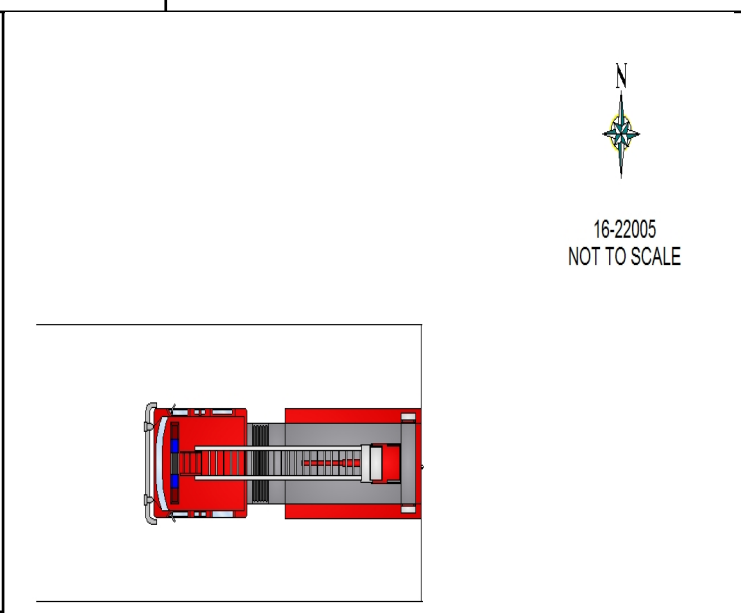
ROAD CONTOUR	ROAD CONDITIONS	ROAD CONDITIONS	WEATHER
1 1 - STRAIGHT LEVEL 4 - CURVE GRADE 2 - STRAIGHT GRADE 9 - UNKNOWN 3 - CURVE LEVEL	01 PRIMARY SECONDARY	01 - DRY 05 - SAND, MUD, DIRT, OIL, GRAVEL 02 - WET 06 - WATER (STANDING, MOVING) 03 - SNOW 07 - SLUSH 04 - ICE 08 - DEBRIS*	2 1 - CLEAR 4 - RAIN 7 - SEVERE CROSSWINDS 2 - CLOUDY 5 - SLEET, HAIL 8 - BLOWING SAND, SOIL, DIRT, SNOW 3 - FOG, SMOG, SMOKE 6 - SNOW 9 - OTHER/UNKNOWN

MANNER OF CRASH COLLISION/IMPACT	WEATHER
1 1 - NOT COLLISION BETWEEN TWO MOTOR VEHICLES IN TRANSPORT 2 - REAR-END 5 - BACKING 8 - SIDESWIPE, OPPOSITE DIRECTION 3 - HEAD-ON 6 - ANGLE 9 - UNKNOWN 4 - REAR-TO-REAR 7 - SIDESWIPE, -SAME DIRECTION	2 1 - CLEAR 4 - RAIN 7 - SEVERE CROSSWINDS 2 - CLOUDY 5 - SLEET, HAIL 8 - BLOWING SAND, SOIL, DIRT, SNOW 3 - FOG, SMOG, SMOKE 6 - SNOW 9 - OTHER/UNKNOWN

ROAD SURFACE	LIGHT CONDITIONS	SCHOOL BUS RELATED
1 1 - CONCRETE 4 - SLAG, GRAVEL, STONE 2 - BLACKTOP, BITUMINOUS, ASPHALT 5 - DIRT 3 - BRICK/BLOCK 6 - OTHER	1 PRIMARY <input type="checkbox"/> SECONDARY 1 - DAYLIGHT 5 - DARK - ROADWAY NOT LIGHTED 9 - UNKNOWN 2 - DAWN 6 - DARK - UNKNOWN ROADWAY LIGHTING 3 - DUSK 7 - GLARE* 4 - DARK - LIGHTED ROADWAY 8 - OTHER	<input type="checkbox"/> SCHOOL BUS RELATED <input type="checkbox"/> YES, SCHOOL BUS DIRECTLY INVOLVED <input type="checkbox"/> YES, SCHOOL BUS INDIRECTLY INVOLVED

WORK ZONE RELATED	WORKERS PRESENT	TYPE OF WORK ZONE	LOCATION OF CRASH IN WORK ZONE
<input type="checkbox"/> WORK ZONE RELATED	<input type="checkbox"/> LAW ENFORCEMENT PRESENT (OFFICER/VEHICLE) <input type="checkbox"/> LAW ENFORCEMENT PRESENT (VEHICLE ONLY)	<input type="checkbox"/> 1 - LANE CLOSURE <input type="checkbox"/> 2 - LANE SHIFT/ CROSSOVER <input type="checkbox"/> 3 - WORK ON SHOULDER OR MEDIAN <input type="checkbox"/> 4 - INTERMITTENT OR MOVING WORK <input type="checkbox"/> 5 - OTHER	<input type="checkbox"/> 1 - BEFORE THE FIRST WORK ZONE WARNING SIGN <input type="checkbox"/> 2 - ADVANCE WARNING AREA <input type="checkbox"/> 3 - TRANSITION AREA <input type="checkbox"/> 4 - ACTIVITY AREA <input type="checkbox"/> 5 - TERMINATION AREA

NARRATIVE
Unit 1 backed into garage bay door.



REPORT TAKEN BY	SUPPLEMENT (CORRECTION OR ADDITION TO AN EXISTING REPORT SENT TO ODPS)					
<input checked="" type="checkbox"/> POLICE AGENCY <input type="checkbox"/> MOTORIST						
DATE CRASH REPORTED	TIME CRASH REPORTED	DISPATCH TIME	ARRIVAL TIME	TIME CLEARED	OTHER INVESTIGATION TIME	TOTAL MINUTES
08/14/2016	0756	0800	0830	0930	0	90
OFFICER'S NAME*	OFFICER'S BADGE NUMBER	CHECKED BY				
Snode, Michael	3013	2811				



UNIT

LOCAL REPORT NUMBER

16- 22005

UNIT NUMBER 1	OWNER NAME: LAST, FIRST, MIDDLE (<input type="checkbox"/> SAME AS DRIVER) City Of Newark, ,	OWNER PHONE NUMBER	DAMAGE SCALE 1	DAMAGE AREA FRONT REAR
OWNER ADDRESS: CITY, STATE, ZIP (<input type="checkbox"/> SAME AS DRIVER) 40 West Main, Newark, OH, 43055			1 - NONE	
LP STATE	LICENSE PLATE NUMBER	VEHICLE IDENTIFICATION NUMBER 4P1BAAFF7EA014638	2 - MINOR	
VEHICLE YEAR 2014	VEHICLE MAKE Pierce Mfg., Inc.	VEHICLE MODEL Other	3 - FUNCTIONAL	
<input type="checkbox"/> PROOF OF INSURANCE SHOWN	INSURANCE COMPANY	POLICY NUMBER	4 - DISABLING	
TOWED BY None			9 - UNKNOWN	

CARRIER NAME, ADDRESS, CITY, STATE, ZIP	CARRIER PHONE
---	---------------

US DOT	VEHICLE WEIGHT GVWR/GCWR 2 1 - LESS THAN OR EQUAL TO 10K LBS 2 - 10,001 TO 26,000K LBS 3 - MORE THAN 26,000K LBS.	CARGO BODY TYPE 99 01 - NO CARGO BODY TYPE/NOT APPLICABL 02 - BUS/VAN (9-15 SEATS, INC DRIVER) 03 - BUS (16+ SEATS, INC DRIVER) 04 - VEHICLE TOWING ANOTHER VEHICLE 05 - LOGGING 06 - INTERMODAL CONTAINER CHASIS 07 - CARGO VAN/ENCLOSED BOX 08 - GRAIN, CHIPS, GRAVEL	09 - POLE 10 - CARGO TANK 11 - FLAT BED 12 - DUMP 13 - CONCRETE MIXER 14 - AUTO TRANSPORTER 15 - GARBAGE /REFUSE 99 - OTHER/UNKNOWN	TRAFFICWAY DESCRIPTION 1 1 - T WO-WAY, NOT DIVIDED 2 - T WO-WAY, NOT DIVIDED, CONTINUOUS LEFT TURN LANE 3 - T WO-WAY, DIVIDED, UNPROTECTED (PAINTED OR GRASS >4FT.) MEDIA 4 - T WO-WAY, DIVIDED, POSITIVE MEDIAN BARRIER 5 - ONE-WAY TRAFFICWAY <input type="checkbox"/> HIT / SKIP UNIT
HM PLACARD ID NO.	HAZARDOUS MATERIAL RELATED <input type="checkbox"/>			
HM CLASS NUMBER				

NON-MOTORIST LOCATION PRIOR TO IMPACT <input type="checkbox"/> 01 - INTERSECTION - MARKED CROSSWALK 02 - INTERSECTION - NO CROSSWALK 03 - INTERSECTION OTHER 04 - MIDBLOCK - MARKED CROSSWALK 05 - TRAVEL LANE - OTHER LOCATION 06 - BICYCLE LANE 07 - SHOULDER/ROADSIDE 08 - SIDEWALK 09 - MEDIAN/CROSSING ISLAND 10 - DRIVE WAY ACCESS 11 - SHARED-USE PATH OR TRAIL 12 - NON-TRAFFICWAY AREA 99 - OTHER/UNKNOWN	TYPE OF USE 3 1 - PERSONAL 2 - COMMERCIAL 3 - GOVERNMENT <input type="checkbox"/> IN EMERGENCY RESPONSE	UNIT TYPE 20 99 - UNKNOWN OR HIT/SKIP	PASSENGER VEHICLES (LESS THAN 9 PASSENGERS) 01 - SUB-COMPACT 02 - COMPACT 03 - MID SIZE 04 - FULL SIZE 05 - MINIVAN 06 - SPORT UTILITY VEHICLE 07 - PICKUP 08 - VAN 09 - MOTORCYCLE 10 - MOTORIZED BICYCLE 11 - SNOWMOBILE/ATV 12 - OTHER PASSENGER VEHICLE	MED/HEAVY TRUCKS OR COMBO UNITS > 10K LBS BUS/VAN/LIMO (9 OR MORE INCLUDING DRIVER) 13 - SINGLE UNIT TRUCK OR VAN 2AXLE, 6 TIRES 14 - SINGLE UNIT TRUCK ; 3+ AXLES 15 - SINGLE UNIT TRUCK / TRAILER 16 - TRUCK/TRACTOR (BOBTAIL) 17 - TRACTOR/SEMI-TRAILER 18 - TRACTOR/DOUBLE 19 - TRACTOR/TRIPLES 20 - OTHER MED/HEAVY VEHICLE	21 - BUS/VAN (9-15 SEATS, INC DRIVER) 22 - BUS (16+ SEATS, INC DRIVER) NON-MOTORIST 23 - ANIMAL WITH RIDER 24 - ANIMAL WITH BUGGY, WAGON, SURREY 25 - BICYCLE/PEDACYCLIST 26 - PEDESTRIAN/SKATER 27 - OTHER NON-MOTORIST	<input type="checkbox"/> HAS HM PLACARD
---	---	--	---	--	--	---

SPECIAL FUNCTION 10 01 - NONE 02 - TAXI 03 - RENTAL TRUCK (OVER 10K LBS) 04 - BUS - SCHOOL (PUBLIC OR PRIVATE) 05 - BUS - TRANSIT 06 - BUS - CHARTER 07 - BUS - SHUTTLE 08 - BUS - OTHER	09 - AMBULANCE 10 - FIRE 11 - HIGHWAY MAINTENANCE 12 - MILITARY 13 - POLICE 14 - PUBLIC UTILITY 15 - OTHER GOVERNMENT 16 - CONSTRUCTION EQUIP.	17 - FARM VEHICLE 18 - FARM EQUIPMENT 19 - MOTORHOME 20 - GOLF CART 21 - TRAIN 22 - OTHER (EXPLAIN IN NARRATIVE)	MOST DAMAGED AREA 01 01 - NONE 02 - CENTER FRONT 03 - RIGHT FRONT 04 - RIGHT SIDE 05 - RIGHT REAR 06 - REAR CENTER 07 - LEFT REAR	08 - LEFT SIDE 09 - LEFT FRONT 10 - TOP AND WINDOWS 11 - UNDERCARRIAGE 12 - LOAD/TRAILER 13 - TOTAL (ALL AREAS) 14 - OTHER	99 - UNKNOWN	ACTION 3 1 - NON-CONTACT 2 - NON-COLLISION 3 - STRIKING 4 - STRUCK 5 - STRIKING/STRUCK 9 - UNKNOWN
---	---	---	---	--	--------------	---

PRE-CRASH ACTIONS 02	MOTORIST 01 - STRAIGHT AHEAD 02 - BACKING 03 - CHANGING LANES 04 - OVERTAKING/PASSING 05 - MAKING RIGHT TURN 06 - MAKING LEFT TURN	07 - MAKING U-TURN 08 - ENTERING TRAFFIC LANE 09 - LEAVING TRAFFIC LANE 10 - PARKED 11 - SLOWING OR STOPPED IN TRAFFIC 12 - DRIVERLESS	13 - NEGOTIATING A CURVE 14 - OTHER MOTORIST ACTION	NON-MOTORIST 15 - ENTERING OR CROSSING SPECIFIED LOCATIO 16 - WALKING, RUNNING, JOGGING, PLAYING, CYCLING 17 - WORKING 18 - PUSHING VEHICLE 19 - APPROACHING OR LEAVING VEHICLE 20 - STANDING	21 - OTHER NON-MOTORIST ACTION
--------------------------------	--	---	--	---	--------------------------------

CONTRIBUTING CIRCUMSTANCE PRIMARY 01 01 - NONE 02 - FAILURE TO YIELD 03 - RAN RED LIGHT 04 - RAN STOP SIGN 05 - EXCEEDED SPEED LIMIT 06 - UNSAFE SPEED 07 - IMPROPER TURN 08 - LEFT OF CENTER 09 - FOLLOWED TOO CLOSELY/ACDA 99 - UNKNOWN	MOTORIST 01 - NONE 02 - FAILURE TO YIELD 03 - RAN RED LIGHT 04 - RAN STOP SIGN 05 - EXCEEDED SPEED LIMIT 06 - UNSAFE SPEED 07 - IMPROPER TURN 08 - LEFT OF CENTER 09 - FOLLOWED TOO CLOSELY/ACDA 10 - IMPROPER LANE CHANGE /PASSING/OFF ROAD	NON-MOTORIST 11 - IMPROPER BACKING 12 - IMPROPER START FROM PARKED POSITION 13 - STOPPED OR PARKED ILLEGALLY 14 - OPERATING VEHICLE IN NEGLIGENT MANNER 15 - SWERING TO AVOID (DUE TO EXTERNAL CONDITIONS) 16 - WRONG SIDE/WRONG WAY 17 - FAILURE TO CONTROL 18 - VISION OBSTRUCTION 19 - OPERATING DEFECTIVE EQUIPMENT 20 - LOAD SHIFTING/FALLING/SPILLING 21 - OTHER IMPROPER ACTION	NON-MOTORIST 22 - NONE 23 - IMPROPER CROSSING 24 - DARTING 25 - LYING AND/OR ILLEGALLY IN ROADWAY 26 - FAILURE TO YIELD RIGHT OF WAY 27 - NOT VISIBLE (DARK CLOTHING) 28 - INATTENTIVE 29 - FAILURE TO OBEY TRAFFIC SIGNS /SIGNALS/OFFICER 30 - WRONG SIDE OF THE ROAD 31 - OTHER NON-MOTORIST ACTION	VEHICLE DEFECTS <input type="checkbox"/> 01 - TURN SIGNALS 02 - HEAD LAMPS 03 - TAIL LAMPS 04 - BRAKES 05 - STEERING 06 - TIRE BLOWOUT 07 - WORN OR SLICK TIRES 08 - TRAILER EQUIPMENT DEFECTIVE 09 - MOTOR TROUBLE 10 - DISABLED FROM PRIOR ACCIDENT 11 - OTHER DEFECTS
--	--	---	---	---

SEQUENCE OF EVENTS 1 52 2 <input type="checkbox"/> 3 <input type="checkbox"/> 4 <input type="checkbox"/> 5 <input type="checkbox"/> 6 <input type="checkbox"/> FIRST HARMFUL EVENT 1 MOST HARMFUL EVENT 1 99 - UNKNOWN	NON-COLLISION EVENTS 01 - OVERTURN/ROLLOVER 02 - FIRE/EXPLOSION 03 - IMMERSION 04 - JACKKNIFE 05 - CARGO/EQUIPMENT LOSS OR SHIFT 06 - EQUIPMENT FAILURE (BLOWN TIRE, BRAKE FAILURE, ETC) 07 - SEPARATION OF UNITS 08 - RAN OFF ROAD RIGHT 09 - RAN OFF ROAD LEFT	10 - CROSS MEDIAN 11 - CROSS CENTER LINE OPPOSITE DIRECTION OF TRAVEL 12 - DOWNHILL RUNAWAY 13 - OTHER NON-COLLISION
---	---	--

COLLISION WITH PERSON, VEHICLE OR OBJECT NOT FIXED 14 - PEDESTRIAN 15 - PEDALCYCLE 16 - RAILWAY VEHICLE (TRAIN, ENGINE) 17 - ANIMAL - FARM 18 - ANIMAL - DEER 19 - ANIMAL-OTHER 20 - MOTOR VEHICLE IN TRANSPORT	21 - PARKED MOTOR VEHICLE 22 - WORK ZONE MAINTENANCE EQUIPMENT 23 - STRUCK BY FALLING, SHIFTING CARGO OR ANYTHING SET IN MOTION BY A MOTOR VEHICLE 24 - OTHER MOVABLE OBJECT	25 - IMPACT ATTENUATOR/CRASH CUSHION 26 - BRIDGE OVERHEAD STRUCTURE 27 - BRIDGE PIER OR ABUTMENT 28 - BRIDGE PARAPET 29 - BRIDGE RAIL 30 - GUARDRAIL FACE 31 - GUARDRAIL END 32 - PORTABLE BARRIER	33 - MEDIAN CABLE BARRIER 34 - MEDIAN GUARDRAIL BARRIER 35 - MEDIAN CONCRETE BARRIER 36 - MEDIAN OTHER BARRIER 37 - TRAFFIC SIGN POST 38 - OVERHEAD SIGN POST 39 - LIGHT/LUMINARIES SUPPORT 40 - UTILITY POLE	41 - OTHER POST, POLE OR SUPPORT 42 - CULVERT 43 - CURB 44 - DITCH 45 - EMBANKMENT 46 - FENCE 47 - MAILBOX	48 - TREE 49 - FIRE HYDRANT 50 - WORK ZONE MAINTENANCE EQUIPMENT 51 - WALL, BUILDING, TUNNEL 52 - OTHER FIXED OBJECT
--	---	---	--	--	--

UNIT SPEED 5 <input type="checkbox"/> STATED <input checked="" type="checkbox"/> ESTIMATED	POSTED SPEED	TRAFFIC CONTROL 01 01 - NO CONTROLS 02 - STOP SIGN 03 - YIELD SIGN 04 - TRAFFIC SIGNAL 05 - TRAFFIC FLASHERS 06 - SCHOOL ZONE	07 - RAILROAD CROSSBUCKS 08 - RAILROAD FLASHERS 09 - RAILROAD GATES 10 - COSTRUCTION BARRICADE 11 - PERSON (FLAGGER, OFFICER 12 - PAVEMENT MARKINGS	13 - CROSSWALK LINES 14 - WALK/DON'T WALK 15 - OTHER 16 - NOT REPORTED	UNIT DIRECTION FROM 4 TO 3 1 - NORTH 2 - SOUTH 3 - EAST 4 - WEST	5 - NORTHEAST 6 - NORTHWEST 7 - SOUTHEAST 8 - SOUTHWEST 9 - UNKNOWN
--	--------------	--	--	---	---	---



MOTORIST / NON-MOTORIST / OCCUPANT

LOCAL REPORT NUMBER
16- 22005

UNIT NUMBER 1	NAME: LAST, FIRST, MIDDLE Albertson, Douglas, R	DATE OF BIRTH 05/13/1962	AGE 54	GENDER <input checked="" type="checkbox"/> M F - FEMALE M - MALE
-------------------------	---	------------------------------------	------------------	--

ADDRESS, CITY, STATE, ZIP 75 4th St S, Newark, OH, 43055	CONTACT PHONE - INCLUDE AREA CODE
--	-----------------------------------

INJURIES <input checked="" type="checkbox"/>	INJURED TAKEN BY <input checked="" type="checkbox"/>	EMS AGENCY	MEDICAL FACILITY INJURED TAKEN TO	SAFETY EQUIPMENT USED 99	DOT COMPLIANT MOTORCYCLE HELMET <input type="checkbox"/>	SEATING POSITION 01	AIR BAG USAGE 5	EJECTION <input checked="" type="checkbox"/>	TRAPPED <input checked="" type="checkbox"/>
---	---	------------	-----------------------------------	------------------------------------	---	-------------------------------	---------------------------	---	--

OL STATE OH	OPERATOR LICENSE NUMBER RR375892	OL CLASS 4	No VALID DL <input type="checkbox"/>	M/C END <input type="checkbox"/>	CONDITION 1	ALCOHOL/DRUG SUSPECTED 1	ALCOHOL TEST STATUS 1	ALCOHOL TEST TYPE 1	ALCOHOL TEST VALUE	DRUG TEST STATUS 1	DRUG TEST TYPE
-----------------------	--	----------------------	---	-------------------------------------	-----------------------	------------------------------------	---------------------------------	-------------------------------	--------------------	------------------------------	----------------

OFFENSE CHARGED (<input type="checkbox"/> LOCAL CODE)	OFFENSE DESCRIPTION	CITATION NUMBER	HANDS-FREE DEVICE USED <input type="checkbox"/>	DRIVER DISTRACTED BY <input checked="" type="checkbox"/>
---	---------------------	-----------------	--	---

UNIT NUMBER	NAME: LAST, FIRST, MIDDLE	DATE OF BIRTH	AGE	GENDER <input type="checkbox"/> F - FEMALE M - MALE
-------------	---------------------------	---------------	-----	---

ADDRESS, CITY, STATE, ZIP	CONTACT PHONE - INCLUDE AREA CODE
---------------------------	-----------------------------------

INJURIES <input type="checkbox"/>	INJURED TAKEN BY <input type="checkbox"/>	EMS AGENCY	MEDICAL FACILITY INJURED TAKEN TO	SAFETY EQUIPMENT USED	DOT COMPLIANT MOTORCYCLE HELMET <input type="checkbox"/>	SEATING POSITION	AIR BAG USAGE	EJECTION <input type="checkbox"/>	TRAPPED <input type="checkbox"/>
--------------------------------------	--	------------	-----------------------------------	-----------------------	---	------------------	---------------	--------------------------------------	-------------------------------------

OL STATE	OPERATOR LICENSE NUMBER	OL CLASS	No VALID DL <input type="checkbox"/>	M/C END <input type="checkbox"/>	CONDITION	ALCOHOL/DRUG SUSPECTED	ALCOHOL TEST STATUS	ALCOHOL TEST TYPE	ALCOHOL TEST VALUE	DRUG TEST STATUS	DRUG TEST TYPE
----------	-------------------------	----------	---	-------------------------------------	-----------	------------------------	---------------------	-------------------	--------------------	------------------	----------------

OFFENSE CHARGED (<input type="checkbox"/> LOCAL CODE)	OFFENSE DESCRIPTION	CITATION NUMBER	HANDS-FREE DEVICE USED <input type="checkbox"/>	DRIVER DISTRACTED BY <input type="checkbox"/>
---	---------------------	-----------------	--	--

INJURIES	INJURED TAKEN BY	SAFETY EQUIPMENT USED	99 - UNKNOWN SAFETY EQUIPMENT
1 - NO INJURY / NONE REPORTED 2 - POSSIBLE 3 - NON-INCAPACITATING 4 - INCAPACITATING 5 - FATAL	1 - NOT TRANSPORTED / TREATED AT SCENE 2 - EMS 3 - POLICE 4 - OTHER 9 - UNKNOWN	MOTORIST 01 - NONE USED - VEHICLE OCCUPANT 02 - SHOULDER BELT ONLY USED 03 - LAP BELT ONLY USED 04 - SHOULDER AND LAP BELT ONLY USED	NON-MOTORIST 05 - CHILD RESTRAINT SYSTEM-FORWARD FACING 06 - CHILD RESTRAINT SYSTEM-REAR FACING 07 - BOOSTER SEAT 08 - HELMET USED 09 - NONE USED 10 - HELMET USED 11 - PROTECTIVE PADS USED (ELBOWS, KNEES, ETC) 12 - REFLECTIVE COATING 13 - LIGHTING 14 - OTHER

SEATING POSITION	07 - THIRD - LEFT SIDE (MOTORCYCLE SIDE CAR)	12 - PASSENGER IN UNENCLOSED CARGO AREA	AIR BAG USAGE
01 - FRONT - LEFT SIDE (MOTORCYCLE DRIVER) 02 - FRONT - MIDDLE 03 - FRONT - RIGHT SIDE 04 - SECOND - LEFT SIDE (MOTORCYCLE PASSENGER) 05 - SECOND - MIDDLE 06 - SECOND - RIGHT SIDE	08 - THIRD - MIDDLE 09 - THIRD - RIGHT SIDE 10 - SLEEPER SECTION OF CAB (TRUCK) 11 - PASSENGER IN OTHER ENCLOSED CARGO AREA (NON-TRAILING UNIT SUCH AS A BUS, PICKUP WITH CAP)	13 - TRAILING UNIT 14 - RIDING ON VEHICLE EXTERIOR (NON-TRAILING UNIT) 15 - NON-MOTORIST 16 - OTHER 99 - UNKNOWN	1 - NOT DEPLOYED 2 - DEPLOYED FRONT 3 - DEPLOYED SIDE 4 - DEPLOYED BOTH FRONT/SIDE 5 - NOT APPLICABLE 9 - DEPLOYMENT UNKNOWN

EJECTION	TRAPPED	OPERATOR LICENSE CLASS	CONDITION	ALCOHOL/DRUG SUSPECTED
1 - NOT EJECTED 2 - TOTALLY EJECTED 3 - PARTIALLY EJECTED 4 - NOT APPLICABLE	1 - NOT TRAPPED 2 - EXTRICATED BY MECHANICAL MEANS 3 - EXTRICATED BY NON-MECHANICAL MEANS	1 - CLASS A 2 - CLASS B 3 - CLASS C 4 - REGULAR CLASS (OHIO'S "D") 5 - MC/MOPED ONLY	1 - APPARENTLY NORMAL 2 - PHYSICAL IMPAIRMENT 3 - EMOTIONAL (DEPRESSED, ANGRY, DISTURBE) 4 - ILLNESS	5 - FELL ASLEEP, FAINTED, FATIGUE 6 - UNDER THE INFLUENCE OF MEDICATIONS, DRUGS, ALCOHOL 7 - OTHER

ALCOHOL TEST STATUS	ALCOHOL TEST TYPE	DRUG TEST STATUS	DRUG TEST TYPE	DRIVER DISTRACTED BY
1 - NONE GIVEN 2 - TEST REFUSED 3 - TEST GIVEN, CONTAMINATED SAMPLE/UNUSABLE 4 - TEST GIVEN, RESULTS KNOWN 5 - TEST GIVEN, RESULTS UNKNOWN	1 - NONE 2 - BLOOD 3 - URINE 4 - BREATH 5 - OTHER	1 - NONE GIVEN 2 - TEST REFUSED 3 - TEST GIVEN, CONTAMINATED SAMPLE/UNUSABLE 4 - TEST GIVEN, RESULTS KNOWN 5 - TEST GIVEN, RESULTS UNKNOWN	1 - NONE 2 - BLOOD 3 - URINE 4 - OTHER	1 - NO DISTRACTION REPORTED 2 - PHONE 3 - TEXTING /EMAILING 4 - ELECTRONIC COMMUNICATION DEVICE (NAVIGATION DEVICE, RADIO, DVD) 6 - OTHER INSIDE THE VEHICLE 7 - EXTERNAL DISTRACTION

UNIT NUMBER	NAME: LAST, FIRST, MIDDLE	DATE OF BIRTH	AGE	GENDER <input type="checkbox"/> F - FEMALE M - MALE
-------------	---------------------------	---------------	-----	---

ADDRESS, CITY, STATE, ZIP	CONTACT PHONE - INCLUDE AREA CODE
---------------------------	-----------------------------------

INJURIES <input type="checkbox"/>	INJURED TAKEN BY <input type="checkbox"/>	EMS AGENCY	MEDICAL FACILITY INJURED TAKEN TO	SAFETY EQUIPMENT USED	DOT COMPLIANT MOTORCYCLE HELMET <input type="checkbox"/>	SEATING POSITION	AIR BAG USAGE	EJECTION <input type="checkbox"/>	TRAPPED <input type="checkbox"/>
--------------------------------------	--	------------	-----------------------------------	-----------------------	---	------------------	---------------	--------------------------------------	-------------------------------------

UNIT NUMBER	NAME: LAST, FIRST, MIDDLE	DATE OF BIRTH	AGE	GENDER <input type="checkbox"/> F - FEMALE M - MALE
-------------	---------------------------	---------------	-----	---

ADDRESS, CITY, STATE, ZIP	CONTACT PHONE - INCLUDE AREA CODE
---------------------------	-----------------------------------

INJURIES <input type="checkbox"/>	INJURED TAKEN BY <input type="checkbox"/>	EMS AGENCY	MEDICAL FACILITY INJURED TAKEN TO	SAFETY EQUIPMENT USED	DOT COMPLIANT MOTORCYCLE HELMET <input type="checkbox"/>	SEATING POSITION	AIR BAG USAGE	EJECTION <input type="checkbox"/>	TRAPPED <input type="checkbox"/>
--------------------------------------	--	------------	-----------------------------------	-----------------------	---	------------------	---------------	--------------------------------------	-------------------------------------

MOTORIST/NON-MOTORIST

MOTORIST/NON-MOTORIST

OCCUPANT

OCCUPANT