



TRAFFIC CRASH REPORT

LOCAL REPORT NUMBER *	CRASH SEVERITY	HIT/SKIP
17- 6434	3 1- FATAL 2- INJURY 3- PDO	2 1- SOLVED 2- UNSOLVED

PHOTOS TAKEN <input type="checkbox"/> OH-2 <input type="checkbox"/> OH-1P <input type="checkbox"/> OH-3 <input type="checkbox"/> OTHER	PDO UNDER STATE REPORTABLE DOLLAR AMOUNT	PRIVATE PROPERTY	REPORTING AGENCY NCIC *	REPORTING AGENCY NAME *	NUMBER OF UNITS	UNIT IN ERROR
			04501	Newark Division of Police	2	2 98 - ANIMAL 99 - UNKNOWN
COUNTY *	CITY *	CITY, VILLAGE, TOWNSHIP *	CRASH DATE *	TIME OF CRASH	DAY OF WEEK	
Licking	Newark	Newark	03/15/2017	1927	Wed	

DEGREES/MINUTES/SECONDS	DECIMAL DEGREES
LATITUDE ::	LONGITUDE ::
	OR 40.085739 82.430680

ROADWAY DIVISION <input type="checkbox"/> DIVIDED <input checked="" type="checkbox"/> UNDIVIDED	DIVIDED LANE DIRECTION OF TRAVEL <input type="checkbox"/> N - NORTHBOUND <input type="checkbox"/> S - SOUTHBOUND	EASTBOUND <input type="checkbox"/> E - EASTBOUND <input type="checkbox"/> W - WESTBOUND	NUMBER OF THRU LANES 1	ROAD TYPES OR MILEPOST AL - ALLEY CR - CIRCLE AV - AVENUE CT - COURT BL - BOULEVARD DR - DRIVE HE - HEIGHTS HW - HIGHWAY MP - MILEPOST PK - PARKWAY LA - LANE PI - PIKE PL - PLACE RD - ROAD ST - STREET SQ - SQUARE WA - WAY TE - TERRACE TL - TRAIL
---	--	---	---------------------------	---

LOCATION ROUTE NUMBER	LOC PREFIX	LOCATION ROAD NAME	LOCATION ROAD TYPE	ROUTE TYPES
	N, S, E, W	21st	ST	IR - INTERSTATE ROUTE (INC. TURNPIKE) US - US ROUTE CR - NUMBERED COUNTY ROUTE SR - STATE ROUTE TR - NUMBERED TOWNSHIP ROUTE

DISTANCE FROM REFERENCE <input type="checkbox"/> MILES <input checked="" type="checkbox"/> FEET <input type="checkbox"/> YARDS	DIR FROM REF N, S, E, W	REFERENCE ROUTE NUMBER	REF PREFIX N, S, E, W	REFERENCE NAME (ROAD, MILEPOST, HOUSE #)	REFERENCE ROAD TYPE
250	E			1315	

REFERENCE POINT USED 1 - INTERSECTION 2 - MILE POST 3 - HOUSE NUMBER	CRASH LOCATION 01 - NOT AN INTERSECTION 02 - FOUR-WAY INTERSECTION 03 - T-INTERSECTION 04 - Y-INTERSECTION 05 - TRAFFIC CIRCLE/ ROUNDABOUT	06 - FIVE-POINT, OR MORE 07 - ON RAMP 08 - OFF RAMP 09 - CROSSOVER 10 - DRIVEWAY/ ALLEY ACCESS	11 - RAILWAY GRADE CROSSING 12 - SHARED-USE PATHS OR TRAILS 99 - UNKNOWN	INTERSECTION RELATED <input type="checkbox"/>	LOCATION OF FIRST HARMFUL EVENT 1 - ON ROADWAY 2 - ON SHOULDER 3 - IN MEDIAN 4 - ON ROADSIDE 5 - ON GORE 6 - OUTSIDE TRAFFICWAY 9 - UNKNOWN
3	01				1

ROAD CONTOUR 1 - STRAIGHT LEVEL 2 - STRAIGHT GRADE 3 - CURVE LEVEL 4 - CURVE GRADE 9 - UNKNOWN	ROAD CONDITIONS PRIMARY SECONDARY	01 - DRY 02 - WET 03 - SNOW 04 - ICE	05 - SAND, MUD, DIRT, OIL, GRAVEL 06 - WATER (STANDING, MOVING) 07 - SLUSH 08 - DEBRIS*	09 - RUT, HOLES, BUMPS, UNEVEN PAVEMENT* 10 - OTHER 99 - UNKNOWN
2	01			

MANNER OF CRASH COLLISION/IMPACT 1 - NOT COLLISION BETWEEN TWO MOTOR VEHICLES IN TRANSPORT 2 - REAR-END 3 - HEAD-ON 4 - REAR-TO-REAR 5 - BACKING 6 - ANGLE 7 - SIDESWIPE, SAME DIRECTION 8 - SIDESWIPE, OPPOSITE DIRECTION 9 - UNKNOWN	WEATHER 1 - CLEAR 2 - CLOUDY 3 - FOG, SMOG, SMOKE 4 - RAIN 5 - SLEET, HAIL 6 - SNOW 7 - SEVERE CROSSWINDS 8 - BLOWING SAND, SOIL, DIRT, SNOW 9 - OTHER/UNKNOWN
6	2

ROAD SURFACE 1 - CONCRETE 2 - BLACKTOP, BITUMINOUS, ASPHALT 3 - BRICK/BLOCK 4 - SLAG, GRAVEL, STONE 5 - DIRT 6 - OTHER	LIGHT CONDITIONS PRIMARY SECONDARY	1 - DAYLIGHT 2 - DAWN 3 - DUSK 4 - DARK - LIGHTED ROADWAY	5 - DARK - ROADWAY NOT LIGHTED 6 - DARK - UNKNOWN ROADWAY LIGHTING 7 - GLARE* 8 - OTHER	9 - UNKNOWN	SCHOOL BUS RELATED <input type="checkbox"/> YES, SCHOOL BUS DIRECTLY INVOLVED <input type="checkbox"/> YES, SCHOOL BUS INDIRECTLY INVOLVED
2	1				

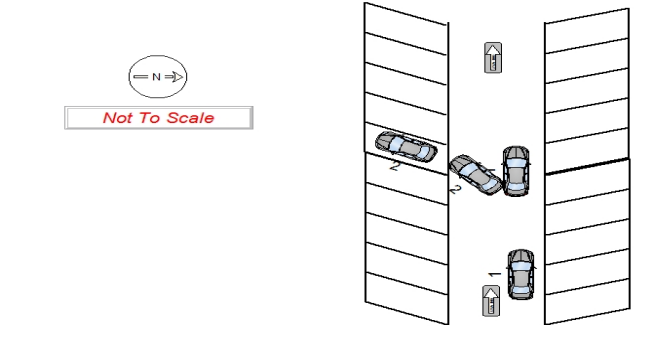
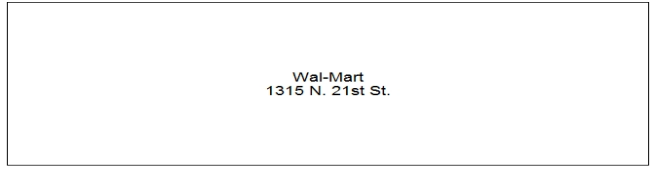
WORK ZONE RELATED <input type="checkbox"/>	WORKERS PRESENT <input type="checkbox"/> LAW ENFORCEMENT PRESENT (OFFICER/VEHICLE) <input type="checkbox"/> LAW ENFORCEMENT PRESENT (VEHICLE ONLY)	TYPE OF WORK ZONE 1 - LANE CLOSURE 2 - LANE SHIFT/ CROSSOVER 3 - WORK ON SHOULDER OR MEDIAN 4 - INTERMITTENT OR MOVING WORK 5 - OTHER	LOCATION OF CRASH IN WORK ZONE 1 - BEFORE THE FIRST WORK ZONE WARNING SIGN 2 - ADVANCE WARNING AREA 3 - TRANSITION AREA 4 - ACTIVITY AREA 5 - TERMINATION AREA

NARRATIVE

Unit 1 was w/b in the one way lane of the Wal-Mart parking lot. Unit 1 was stopped for traffic. Unit 2 was in a parking spot to the left of unit 1. Unit 2 began backing out and to the left to head w/b in the lane towards Wal-Mart. The back right of unit 2 struck the rear left of unit 1.

Unit 1 sustained minor damage near the left rear fender and the rear driver side door. Unit 2 fled the scene. An unknown witness provided the driver of unit 1 with a license plate number (#GZP3857) but did not leave their contact information or stay on scene to speak with officers. The driver and passenger of unit 1 gave a description of w/f with short hair, however, advised that they were unable to see the driver's face to I.D. the driver. The driver and passenger of unit 1 stated that they believed it to be a black older model Saturn.

Hebron P.D. was contacted to attempt to locate the vehicle in their city where the last known address of the registered owner is listed. Hebron P.D. was unable to locate the suspect vehicle.



REPORT TAKEN BY <input checked="" type="checkbox"/> POLICE AGENCY <input type="checkbox"/> MOTORIST	SUPPLEMENT (CORRECTION OR ADDITION TO AN EXISTING REPORT SENT TO ODPS)	DATE CRASH REPORTED	TIME CRASH REPORTED	DISPATCH TIME	ARRIVAL TIME	TIME CLEARED	OTHER INVESTIGATION TIME	TOTAL MINUTES
		03/15/2017	1927	1928	1932	2015	0	47
OFFICER'S NAME *	OFFICER'S BADGE NUMBER	CHECKED BY						
Phillips III, Robert	3104	2811						



UNIT

LOCAL REPORT NUMBER

17- 6434

UNIT NUMBER 1	OWNER NAME: LAST, FIRST, MIDDLE (<input type="checkbox"/> SAME AS DRIVER) Metcalf, Brooklynnne, Michelle	OWNER PHONE NUMBER 740-258-2253	DAMAGE SCALE 2	DAMAGE AREA FRONT REAR
OWNER ADDRESS: CITY, STATE, ZIP (<input type="checkbox"/> SAME AS DRIVER) 13288 Wilkins Run Rd Ne, Newark, OH, 43055			1 - NONE	
LP STATE OH	LICENSE PLATE NUMBER GWY6464	VEHICLE IDENTIFICATION NUMBER 1G1PC5SB8F7275139	2 - MINOR	
VEHICLE YEAR 2015	VEHICLE MAKE Chevrolet	VEHICLE MODEL Cruze	3 - FUNCTIONAL	
PROOF OF INSURANCE SHOWN <input checked="" type="checkbox"/>	INSURANCE COMPANY State Farm	POLICY NUMBER 918 9451-A06-35A	4 - DISABLING	
CARRIER NAME, ADDRESS, CITY, STATE, ZIP			9 - UNKNOWN	
				CARRIER PHONE

US DOT	VEHICLE WEIGHT GVWR/GCWR <input type="checkbox"/> 1 - LESS THAN OR EQUAL TO 10K LBS <input type="checkbox"/> 2 - 10,001 TO 26,000K LBS <input type="checkbox"/> 3 - MORE THAN 26,000K LBS.	CARGO BODY TYPE 01 01 - NO CARGO BODY TYPE/NOT APPLICABLE 02 - BUS/VAN (9-15 SEATS, INC DRIVER) 03 - BUS (16+ SEATS, INC DRIVER) 04 - VEHICLE TOWING ANOTHER VEHICLE 05 - LOGGING 06 - INTERMODAL CONTAINER CHASIS 07 - CARGO VAN/ENCLOSED BOX 08 - GRAIN, CHIPS, GRAVEL	09 - POLE 10 - CARGO TANK 11 - FLAT BED 12 - DUMP 13 - CONCRETE MIXER 14 - AUTO TRANSPORTER 15 - GARBAGE /REFUSE 99 - OTHER/UNKNOWN	TRAFFICWAY DESCRIPTION 5 1 - T WO-WAY, NOT DIVIDED 2 - T WO-WAY, NOT DIVIDED, CONTINUOUS LEFT TURN LANE 3 - T WO-WAY, DIVIDED, UNPROTECTED (PAINTED OR GRASS >4FT.) MEDIA 4 - T WO-WAY, DIVIDED, POSITIVE MEDIAN BARRIER 5 - ONE-WAY TRAFFICWAY <input type="checkbox"/> HIT / SKIP UNIT
HM PLACARD ID NO.	HAZARDOUS MATERIAL RELATED <input type="checkbox"/>			
HM CLASS NUMBER				

NON-MOTORIST LOCATION PRIOR TO IMPACT <input type="checkbox"/> 01 - INTERSECTION - MARKED CROSSWALK 02 - INTERSECTION - NO CROSSWALK 03 - INTERSECTION OTHER 04 - MIDBLOCK - MARKED CROSSWALK 05 - TRAVEL LANE - OTHER LOCATION 06 - BICYCLE LANE 07 - SHOULDER/ROADSIDE 08 - SIDEWALK 09 - MEDIAN/CROSSING ISLAND 10 - DRIVE WAY ACCESS 11 - SHARED-USE PATH OR TRAIL 12 - NON-TRAFFICWAY AREA 99 - OTHER/UNKNOWN	TYPE OF USE 1 1 - PERSONAL 2 - COMMERCIAL 3 - GOVERNMENT <input type="checkbox"/> IN EMERGENCY RESPONSE	UNIT TYPE 03 99 - UNKNOWN OR HIT/SKIP PASSENGER VEHICLES (LESS THAN 9 PASSENGERS) 01 - SUB-COMPACT 02 - COMPACT 03 - MID SIZE 04 - FULL SIZE 05 - MINIVAN 06 - SPORT UTILITY VEHICLE 07 - PICKUP 08 - VAN 09 - MOTORCYCLE 10 - MOTORIZED BICYCLE 11 - SNOWMOBILE/ATV 12 - OTHER PASSENGER VEHICLE MED/HEAVY TRUCKS OR COMBO UNITS > 10K LBS BUS/VAN/LMO(9 OR MORE INCLUDING DRIVER) 13 - SINGLE UNIT TRUCK OR VAN 2AXLE, 6 TIRES 14 - SINGLE UNIT TRUCK ; 3+ AXLES 15 - SINGLE UNIT TRUCK / TRAILER 16 - TRUCK/TRACTOR (BOBTAIL) 17 - TRACTOR/SEMI-TRAILER 18 - TRACTOR/DOUBLE 19 - TRACTOR/TRIPLES 20 - OTHER MED/HEAVY VEHICLE Non-Motorist 21 - BUS/VAN (9-15 SEATS, INC DRIVER) 22 - BUS (16+ SEATS, INC DRIVER) 23 - ANIMAL WITH RIDER 24 - ANIMAL WITH BUGGY, WAGON, SURREY 25 - BICYCLE/PEDACYCLIST 26 - PEDESTRIAN/SKATER 27 - OTHER NON-MOTORIST	<input type="checkbox"/> HAS HM PLACARD
---	---	--	---

SPECIAL FUNCTION 01 01 - NONE 02 - TAXI 03 - RENTAL TRUCK (OVER 10K LBS) 04 - BUS - SCHOOL (PUBLIC OR PRIVATE) 05 - BUS - TRANSIT 06 - BUS - CHARTER 07 - BUS - SHUTTLE 08 - BUS - OTHER	09 - AMBULANCE 10 - FIRE 11 - HIGHWAY MAINTENANCE 12 - MILITARY 13 - POLICE 14 - PUBLIC UTILITY 15 - OTHER GOVERNMENT 16 - CONSTRUCTION EQUIP.	17 - FARM VEHICLE 18 - FARM EQUIPMENT 19 - MOTORHOME 20 - GOLF CART 21 - TRAIN 22 - OTHER (EXPLAIN IN NARRATIVE)	MOST DAMAGED AREA 08 01 - NONE 02 - CENTER FRONT 03 - RIGHT FRONT 04 - RIGHT SIDE 05 - RIGHT REAR 06 - REAR CENTER 07 - LEFT REAR	08 - LEFT SIDE 09 - LEFT FRONT 10 - TOP AND WINDOWS 11 - UNDERCARRIAGE 12 - LOAD/TRAILER 13 - TOTAL (ALL AREAS) 14 - OTHER	99 - UNKNOWN	ACTION 4 1 - NON-CONTACT 2 - NON-COLLISION 3 - STRIKING 4 - STRUCK 5 - STRIKING/STRUCK 9 - UNKNOWN
--	---	---	--	--	--------------	--

PRE-CRASH ACTIONS 11 99 - UNKNOWN	MOTORIST 01 - STRAIGHT AHEAD 02 - BACKING 03 - CHANGING LANES 04 - OVERTAKING/PASSING 05 - MAKING RIGHT TURN 06 - MAKING LEFT TURN	07 - MAKING U-TURN 08 - ENTERING TRAFFIC LANE 09 - LEAVING TRAFFIC LANE 10 - PARKED 11 - SLOWING OR STOPPED IN TRAFFIC 12 - DRIVERLESS	13 - NEGOTIATING A CURVE 14 - OTHER MOTORIST ACTION	NON-MOTORIST 15 - ENTERING OR CROSSING SPECIFIED LOCATION 16 - WALKING, RUNNING, JOGGING, PLAYING, CYCLING 17 - WORKING 18 - PUSHING VEHICLE 19 - APPROACHING OR LEAVING VEHICLE 20 - STANDING	21 - OTHER NON-MOTORIST ACTION
--	--	---	--	--	--------------------------------

CONTRIBUTING CIRCUMSTANCE PRIMARY 01 01 - NONE 02 - FAILURE TO YIELD 03 - RAN RED LIGHT 04 - RAN STOP SIGN 05 - EXCEEDED SPEED LIMIT 06 - UNSAFE SPEED 07 - IMPROPER TURN 08 - LEFT OF CENTER 09 - FOLLOWED TOO CLOSELY/ACDA 99 - UNKNOWN	MOTORIST 01 - NONE 02 - FAILURE TO YIELD 03 - RAN RED LIGHT 04 - RAN STOP SIGN 05 - EXCEEDED SPEED LIMIT 06 - UNSAFE SPEED 07 - IMPROPER TURN 08 - LEFT OF CENTER 09 - FOLLOWED TOO CLOSELY/ACDA 10 - IMPROPER LANE CHANGE /PASSING/OFF ROAD	NON-MOTORIST 11 - IMPROPER BACKING 12 - IMPROPER START FROM PARKED POSITION 13 - STOPPED OR PARKED ILLEGALLY 14 - OPERATING VEHICLE IN NEGLIGENT MANNER 15 - SWERING TO AVOID (DUE TO EXTERNAL CONDITIONS) 16 - WRONG SIDE/WRONG WAY 17 - FAILURE TO CONTROL 18 - VISION OBSTRUCTION 19 - OPERATING DEFECTIVE EQUIPMENT 20 - LOAD SHIFTING/FALLING/SPILLING 21 - OTHER IMPROPER ACTION	NON-MOTORIST 22 - NONE 23 - IMPROPER CROSSING 24 - DARTING 25 - LYING AND/OR ILLEGALLY IN ROADWAY 26 - FAILURE TO YIELD RIGHT OF WAY 27 - NOT VISIBLE (DARK CLOTHING) 28 - INATTENTIVE 29 - FAILURE TO OBEY TRAFFIC SIGNS /SIGNALS/OFFICER 30 - WRONG SIDE OF THE ROAD 31 - OTHER NON-MOTORIST ACTION	VEHICLE DEFECTS <input type="checkbox"/> 01 - TURN SIGNALS 02 - HEAD LAMPS 03 - TAIL LAMPS 04 - BRAKES 05 - STEERING 06 - TIRE BLOWOUT 07 - WORN OR SLICK TIRES 08 - TRAILER EQUIPMENT DEFECTIVE 09 - MOTOR TROUBLE 10 - DISABLED FROM PRIOR ACCIDENT 11 - OTHER DEFECTS
--	--	---	---	---

SEQUENCE OF EVENTS 1 20 2 <input type="checkbox"/> 3 <input type="checkbox"/> 4 <input type="checkbox"/> 5 <input type="checkbox"/> 6 <input type="checkbox"/> FIRST HARMFUL EVENT 1 MOST HARMFUL EVENT 1 99 - UNKNOWN	NON-COLLISION EVENTS 01 - OVERTURN/ROLLOVER 02 - FIRE/EXPLOSION 03 - IMMERSION 04 - JACKKNIFE 05 - CARGO/EQUIPMENT LOSS OR SHIFT 06 - EQUIPMENT FAILURE (BLOWN TIRE, BRAKE FAILURE, ETC) 07 - SEPARATION OF UNITS 08 - RAN OFF ROAD RIGHT 09 - RAN OFF ROAD LEFT	10 - CROSS MEDIAN 11 - CROSS CENTER LINE OPPOSITE DIRECTION OF TRAVEL 12 - DOWNHILL RUNAWAY 13 - OTHER NON-COLLISION
COLLISION WITH PERSON, VEHICLE OR OBJECT NOT FIXED 14 - PEDESTRIAN 15 - PEDALCYCLE 16 - RAILWAY VEHICLE (TRAIN, ENGINE) 17 - ANIMAL - FARM 18 - ANIMAL - DEER 19 - ANIMAL-OTHER 20 - MOTOR VEHICLE IN TRANSPORT 21 - PARKED MOTOR VEHICLE 22 - WORK ZONE MAINTENANCE EQUIPMENT 23 - STRUCK BY FALLING, SHIFTING CARGO OR ANYTHING SET IN MOTION BY A MOTOR VEHICLE 24 - OTHER MOVABLE OBJECT 25 - IMPACT ATTENUATOR/CRASH CUSHION 26 - BRIDGE OVERHEAD STRUCTURE 27 - BRIDGE PIER OR ABUTMENT 28 - BRIDGE PARAPET 29 - BRIDGE RAIL 30 - GUARDRAIL FACE 31 - GUARDRAIL END 32 - PORTABLE BARRIER 33 - MEDIAN CABLE BARRIER 34 - MEDIAN GUARDRAIL BARRIER 35 - MEDIAN CONCRETE BARRIER 36 - MEDIAN OTHER BARRIER 37 - TRAFFIC SIGN POST 38 - OVERHEAD SIGN POST 39 - LIGHT/LUMINARIES SUPPORT 40 - UTILITY POLE 41 - OTHER POST, POLE OR SUPPORT 42 - CULVERT 43 - CURB 44 - DITCH 45 - EMBANKMENT 46 - FENCE 47 - MAILBOX 48 - TREE 49 - FIRE HYDRANT 50 - WORK ZONE MAINTENANCE EQUIPMENT 51 - WALL, BUILDING, TUNNEL 52 - OTHER FIXED OBJECT		

UNIT SPEED 0 <input checked="" type="checkbox"/> STATED <input type="checkbox"/> ESTIMATED	POSTED SPEED 10	TRAFFIC CONTROL 01 01 - NO CONTROLS 02 - STOP SIGN 03 - YIELD SIGN 04 - TRAFFIC SIGNAL 05 - TRAFFIC FLASHERS 06 - SCHOOL ZONE 07 - RAILROAD CROSSBUCKS 08 - RAILROAD FLASHERS 09 - RAILROAD GATES 10 - CONSTRUCTION BARRICADE 11 - PERSON (FLAGGER, OFFICER) 12 - PAVEMENT MARKINGS 13 - CROSSWALK LINES 14 - WALK/DON'T WALK 15 - OTHER 16 - NOT REPORTED	UNIT DIRECTION FROM 3 TO 4 1 - NORTH 2 - SOUTH 3 - EAST 4 - WEST 5 - NORTHEAST 6 - NORTHWEST 7 - SOUTHEAST 8 - SOUTHWEST 9 - UNKNOWN
--	---------------------------	--	--



UNIT

LOCAL REPORT NUMBER

17- 6434

UNIT NUMBER 2	OWNER NAME: LAST, FIRST, MIDDLE (<input type="checkbox"/> SAME AS DRIVER)	OWNER PHONE NUMBER	DAMAGE SCALE 9	DAMAGE AREA FRONT REAR
OWNER ADDRESS: CITY, STATE, ZIP (<input type="checkbox"/> SAME AS DRIVER)			1 - NONE	
LP STATE	LICENSE PLATE NUMBER	VEHICLE IDENTIFICATION NUMBER	2 - MINOR	
VEHICLE YEAR 0	VEHICLE MAKE	VEHICLE MODEL	3 - FUNCTIONAL	
<input type="checkbox"/> PROOF OF INSURANCE SHOWN	INSURANCE COMPANY	POLICY NUMBER	4 - DISABLING	
CARRIER NAME, ADDRESS, CITY, STATE, ZIP			9 - UNKNOWN	CARRIER PHONE

US DOT	VEHICLE WEIGHT GVWR/GCWR <input type="checkbox"/> 1 - LESS THAN OR EQUAL TO 10K LBS <input type="checkbox"/> 2 - 10,001 TO 26,000K LBS <input type="checkbox"/> 3 - MORE THAN 26,000K LBS.	CARGO BODY TYPE 01 01 - NO CARGO BODY TYPE/NOT APPLICABLE 02 - BUS/VAN (9-15 SEATS, INC DRIVER) 03 - BUS (16+ SEATS, INC DRIVER) 04 - VEHICLE TOWING ANOTHER VEHICLE 05 - LOGGING 06 - INTERMODAL CONTAINER CHASIS 07 - CARGO VAN/ENCLOSED BOX 08 - GRAIN, CHIPS, GRAVEL	09 - POLE 10 - CARGO TANK 11 - FLAT BED 12 - DUMP 13 - CONCRETE MIXER 14 - AUTO TRANSPORTER 15 - GARBAGE /REFUSE 99 - OTHER/UNKNOWN	TRAFFICWAY DESCRIPTION <input type="checkbox"/> 1 - T WO-WAY, NOT DIVIDED <input type="checkbox"/> 2 - T WO-WAY, NOT DIVIDED, CONTINUOUS LEFT TURN LANE <input type="checkbox"/> 3 - T WO-WAY, DIVIDED, UNPROTECTED (PAINTED OR GRASS >4FT.) MEDIA <input type="checkbox"/> 4 - T WO-WAY, DIVIDED, POSITIVE MEDIAN BARRIER <input type="checkbox"/> 5 - ONE-WAY TRAFFICWAY <input type="checkbox"/> HIT / SKIP UNIT
HM PLACARD ID NO.	HAZARDOUS MATERIAL RELATED <input type="checkbox"/>			
HM CLASS NUMBER				

NON-MOTORIST LOCATION PRIOR TO IMPACT <input type="checkbox"/> 01 - INTERSECTION - MARKED CROSSWALK <input type="checkbox"/> 02 - INTERSECTION - NO CROSSWALK <input type="checkbox"/> 03 - INTERSECTION OTHER <input type="checkbox"/> 04 - MIDBLOCK - MARKED CROSSWALK <input type="checkbox"/> 05 - TRAVEL LANE - OTHER LOCATION <input type="checkbox"/> 06 - BICYCLE LANE <input type="checkbox"/> 07 - SHOULDER/ROADSIDE <input type="checkbox"/> 08 - SIDEWALK <input type="checkbox"/> 09 - MEDIAN/CROSSING ISLAND <input type="checkbox"/> 10 - DRIVE WAY ACCESS <input type="checkbox"/> 11 - SHARED-USE PATH OR TRAIL <input type="checkbox"/> 12 - NON-TRAFFICWAY AREA <input type="checkbox"/> 99 - OTHER/UNKNOWN	TYPE OF USE <input type="checkbox"/> 1 - PERSONAL <input type="checkbox"/> 2 - COMMERCIAL <input type="checkbox"/> 3 - GOVERNMENT <input type="checkbox"/> IN EMERGENCY RESPONSE	UNIT TYPE 03 99 - UNKNOWN OR HIT/SKIP	PASSENGER VEHICLES (LESS THAN 9 PASSENGERS) 01 - SUB-COMPACT 02 - COMPACT 03 - MID SIZE 04 - FULL SIZE 05 - MINIVAN 06 - SPORT UTILITY VEHICLE 07 - PICKUP 08 - VAN 09 - MOTORCYCLE 10 - MOTORIZED BICYCLE 11 - SNOWMOBILE/ATV 12 - OTHER PASSENGER VEHICLE	MED/HEAVY TRUCKS OR COMBO UNITS > 10K LBS 13 - SINGLE UNIT TRUCK OR VAN 2AXLE, 6 TIRES 14 - SINGLE UNIT TRUCK, 3+ AXLES 15 - SINGLE UNIT TRUCK / TRAILER 16 - TRUCK/TRACTOR (BOBTAIL) 17 - TRACTOR/SEMI-TRAILER 18 - TRACTOR/DOUBLE 19 - TRACTOR/TRIPLES 20 - OTHER MED/HEAVY VEHICLE	BUS/VAN/LIMO (9 OR MORE INCLUDING DRIVER) 21 - BUS/VAN (9-15 SEATS, INC DRIVER) 22 - BUS (16+ SEATS, INC DRIVER) NON-MOTORIST 23 - ANIMAL WITH RIDER 24 - ANIMAL WITH BUGGY, WAGON, SURREY 25 - BICYCLE/PEDACYCLIST 26 - PEDESTRIAN/SKATER 27 - OTHER NON-MOTORIST	<input type="checkbox"/> HAS HM PLACARD
---	--	--	---	---	---	---

SPECIAL FUNCTION <input type="checkbox"/> 01 - NONE <input type="checkbox"/> 02 - TAXI <input type="checkbox"/> 03 - RENTAL TRUCK (OVER 10K LBS) <input type="checkbox"/> 04 - BUS - SCHOOL (PUBLIC OR PRIVATE) <input type="checkbox"/> 05 - BUS - TRANSIT <input type="checkbox"/> 06 - BUS - CHARTER <input type="checkbox"/> 07 - BUS - SHUTTLE <input type="checkbox"/> 08 - BUS - OTHER	09 - AMBULANCE 10 - FIRE 11 - HIGHWAY MAINTENANCE 12 - MILITARY 13 - POLICE 14 - PUBLIC UTILITY 15 - OTHER GOVERNMENT 16 - CONSTRUCTION EQUIP.	17 - FARM VEHICLE 18 - FARM EQUIPMENT 19 - MOTORHOME 20 - GOLF CART 21 - TRAIN 22 - OTHER (EXPLAIN IN NARRATIVE)	MOST DAMAGED AREA 99 01 - NONE 02 - CENTER FRONT 03 - RIGHT FRONT 04 - RIGHT SIDE 05 - RIGHT REAR 06 - REAR CENTER 07 - LEFT REAR	08 - LEFT SIDE 09 - LEFT FRONT 10 - TOP AND WINDOWS 11 - UNDERCARRIAGE 12 - LOAD/TRAILER 13 - TOTAL (ALL AREAS) 14 - OTHER	99 - UNKNOWN	ACTION 3 1 - NON-CONTACT 2 - NON-COLLISION 3 - STRIKING 4 - STRUCK 5 - STRIKING/STRUCK 9 - UNKNOWN
---	---	---	--	--	--------------	--

PRE-CRASH ACTIONS 02 99 - UNKNOWN	MOTORIST 01 - STRAIGHT AHEAD 02 - BACKING 03 - CHANGING LANES 04 - OVERTAKING/PASSING 05 - MAKING RIGHT TURN 06 - MAKING LEFT TURN	07 - MAKING U-TURN 08 - ENTERING TRAFFIC LANE 09 - LEAVING TRAFFIC LANE 10 - PARKED 11 - SLOWING OR STOPPED IN TRAFFIC 12 - DRIVERLESS	13 - NEGOTIATING A CURVE 14 - OTHER MOTORIST ACTION	NON-MOTORIST 15 - ENTERING OR CROSSING SPECIFIED LOCATION 16 - WALKING, RUNNING, JOGGING, PLAYING, CYCLING 17 - WORKING 18 - PUSHING VEHICLE 19 - APPROACHING OR LEAVING VEHICLE 20 - STANDING	21 - OTHER NON-MOTORIST ACTION
--	--	---	--	--	--------------------------------

CONTRIBUTING CIRCUMSTANCE PRIMARY 02 SECONDARY <input type="checkbox"/> 99 - UNKNOWN	MOTORIST 01 - NONE 02 - FAILURE TO YIELD 03 - RAN RED LIGHT 04 - RAN STOP SIGN 05 - EXCEEDED SPEED LIMIT 06 - UNSAFE SPEED 07 - IMPROPER TURN 08 - LEFT OF CENTER 09 - FOLLOWED TOO CLOSELY/ACDA 10 - IMPROPER LANE CHANGE /PASSING/OFF ROAD	11 - IMPROPER BACKING 12 - IMPROPER START FROM PARKED POSITION 13 - STOPPED OR PARKED ILLEGALLY 14 - OPERATING VEHICLE IN NEGLIGENT MANNER 15 - SWERING TO AVOID (DUE TO EXTERNAL CONDITIONS) 16 - WRONG SIDE/WRONG WAY 17 - FAILURE TO CONTROL 18 - VISION OBSTRUCTION 19 - OPERATING DEFECTIVE EQUIPMENT 20 - LOAD SHIFTING/FALLING/SPILLING 21 - OTHER IMPROPER ACTION	NON-MOTORIST 22 - NONE 23 - IMPROPER CROSSING 24 - DARTING 25 - LYING AND/OR ILLEGALLY IN ROADWAY 26 - FAILURE TO YIELD RIGHT OF WAY 27 - NOT VISIBLE (DARK CLOTHING) 28 - INATTENTIVE 29 - FAILURE TO OBEY TRAFFIC SIGNS /SIGNALS/OFFICER 30 - WRONG SIDE OF THE ROAD 31 - OTHER NON-MOTORIST ACTION	VEHICLE DEFECTS <input type="checkbox"/> 01 - TURN SIGNALS 02 - HEAD LAMPS 03 - TAIL LAMPS 04 - BRAKES 05 - STEERING 06 - TIRE BLOWOUT 07 - WORN OR SLICK TIRES 08 - TRAILER EQUIPMENT DEFECTIVE 09 - MOTOR TROUBLE 10 - DISABLED FROM PRIOR ACCIDENT 11 - OTHER DEFECTS
--	--	---	---	---

SEQUENCE OF EVENTS 1 20 2 <input type="checkbox"/> 3 <input type="checkbox"/> 4 <input type="checkbox"/> 5 <input type="checkbox"/> 6 <input type="checkbox"/> FIRST HARMFUL EVENT 1 MOST HARMFUL EVENT 1 99 - UNKNOWN	NON-COLLISION EVENTS 01 - OVERTURN/ROLLOVER 02 - FIRE/EXPLOSION 03 - IMMERSION 04 - JACKKNIFE 05 - CARGO/EQUIPMENT LOSS OR SHIFT 06 - EQUIPMENT FAILURE (BLOWN TIRE, BRAKE FAILURE, ETC) 07 - SEPARATION OF UNITS 08 - RAN OFF ROAD RIGHT 09 - RAN OFF ROAD LEFT	10 - CROSS MEDIAN 11 - CROSS CENTER LINE OPPOSITE DIRECTION OF TRAVEL 12 - DOWNHILL RUNAWAY 13 - OTHER NON-COLLISION
COLLISION WITH PERSON, VEHICLE OR OBJECT NOT FIXED 14 - PEDESTRIAN 15 - PEDALCYCLE 16 - RAILWAY VEHICLE (TRAIN, ENGINE) 17 - ANIMAL - FARM 18 - ANIMAL - DEER 19 - ANIMAL - OTHER 20 - MOTOR VEHICLE IN TRANSPORT 21 - PARKED MOTOR VEHICLE 22 - WORK ZONE MAINTENANCE EQUIPMENT 23 - STRUCK BY FALLING, SHIFTING CARGO OR ANYTHING SET IN MOTION BY A MOTOR VEHICLE 24 - OTHER MOVABLE OBJECT 25 - IMPACT ATTENUATOR/CRASH CUSHION 26 - BRIDGE OVERHEAD STRUCTURE 27 - BRIDGE PIER OR ABUTMENT 28 - BRIDGE PARAPET 29 - BRIDGE RAIL 30 - GUARDRAIL FACE 31 - GUARDRAIL END 32 - PORTABLE BARRIER 33 - MEDIAN CABLE BARRIER 34 - MEDIAN GUARDRAIL BARRIER 35 - MEDIAN CONCRETE BARRIER 36 - MEDIAN OTHER BARRIER 37 - TRAFFIC SIGN POST 38 - OVERHEAD SIGN POST 39 - LIGHT/LUMINARIES SUPPORT 40 - UTILITY POLE 41 - OTHER POST, POLE OR SUPPORT 42 - CULVERT 43 - CURB 44 - DITCH 45 - EMBANKMENT 46 - FENCE 47 - MAILBOX 48 - TREE 49 - FIRE HYDRANT 50 - WORK ZONE MAINTENANCE EQUIPMENT 51 - WALL, BUILDING, TUNNEL 52 - OTHER FIXED OBJECT		

UNIT SPEED 5 <input type="checkbox"/> STATED <input checked="" type="checkbox"/> ESTIMATED	POSTED SPEED	TRAFFIC CONTROL 01 01 - NO CONTROLS 02 - STOP SIGN 03 - YIELD SIGN 04 - TRAFFIC SIGNAL 05 - TRAFFIC FLASHERS 06 - SCHOOL ZONE 07 - RAILROAD CROSSBUCKS 08 - RAILROAD FLASHERS 09 - RAILROAD GATES 10 - CONSTRUCTION BARRICADE 11 - PERSON (FLAGGER, OFFICER) 12 - PAVEMENT MARKINGS 13 - CROSSWALK LINES 14 - WALK/DON'T WALK 15 - OTHER 16 - NOT REPORTED	UNIT DIRECTION FROM 8 TO 5 1 - NORTH 2 - SOUTH 3 - EAST 4 - WEST 5 - NORTHEAST 6 - NORTHWEST 7 - SOUTHEAST 8 - SOUTHWEST 9 - UNKNOWN
--	--------------	--	--



MOTORIST / NON-MOTORIST / OCCUPANT

LOCAL REPORT NUMBER
17- 6434

UNIT NUMBER 1	NAME: LAST, FIRST, MIDDLE Metcalf, Brooklynne, Michelle	DATE OF BIRTH 12/04/1996	AGE 20	GENDER <input checked="" type="checkbox"/> F - FEMALE <input type="checkbox"/> M - MALE
------------------	--	-----------------------------	-----------	---

ADDRESS, CITY, STATE, ZIP 13288 Wilkins Run Rd Ne, Newark, OH, 43055	CONTACT PHONE - INCLUDE AREA CODE 740-258-2253
---	---

INJURIES <input checked="" type="checkbox"/>	INJURED TAKEN BY <input checked="" type="checkbox"/>	EMS AGENCY	MEDICAL FACILITY INJURED TAKEN TO	SAFETY EQUIPMENT USED 04	DOT COMPLIANT MOTORCYCLE HELMET <input type="checkbox"/>	SEATING POSITION 01	AIR BAG USAGE <input checked="" type="checkbox"/>	EJECTION <input checked="" type="checkbox"/>	TRAPPED <input checked="" type="checkbox"/>
---	---	------------	-----------------------------------	-----------------------------	---	------------------------	--	---	--

OL STATE OH	OPERATOR LICENSE NUMBER UB027457	OL CLASS 4	No VALID DL <input type="checkbox"/>	M/C END <input type="checkbox"/>	CONDITION 1	ALCOHOL/DRUG SUSPECTED 1	ALCOHOL TEST STATUS 1	ALCOHOL TEST TYPE 1	ALCOHOL TEST VALUE	DRUG TEST STATUS 1	DRUG TEST TYPE
----------------	-------------------------------------	---------------	---	-------------------------------------	----------------	-----------------------------	--------------------------	------------------------	--------------------	-----------------------	----------------

OFFENSE CHARGED (<input type="checkbox"/> LOCAL CODE)	OFFENSE DESCRIPTION	CITATION NUMBER	HANDS-FREE DEVICE USED <input type="checkbox"/>	DRIVER DISTRACTED BY <input checked="" type="checkbox"/>
--	---------------------	-----------------	--	---

UNIT NUMBER	NAME: LAST, FIRST, MIDDLE	DATE OF BIRTH	AGE	GENDER <input type="checkbox"/> F - FEMALE <input type="checkbox"/> M - MALE
-------------	---------------------------	---------------	-----	--

ADDRESS, CITY, STATE, ZIP	CONTACT PHONE - INCLUDE AREA CODE
---------------------------	-----------------------------------

INJURIES <input type="checkbox"/>	INJURED TAKEN BY <input type="checkbox"/>	EMS AGENCY	MEDICAL FACILITY INJURED TAKEN TO	SAFETY EQUIPMENT USED	DOT COMPLIANT MOTORCYCLE HELMET <input type="checkbox"/>	SEATING POSITION	AIR BAG USAGE <input type="checkbox"/>	EJECTION <input type="checkbox"/>	TRAPPED <input type="checkbox"/>
--------------------------------------	--	------------	-----------------------------------	-----------------------	---	------------------	---	--------------------------------------	-------------------------------------

OL STATE	OPERATOR LICENSE NUMBER	OL CLASS	No VALID DL <input type="checkbox"/>	M/C END <input type="checkbox"/>	CONDITION	ALCOHOL/DRUG SUSPECTED	ALCOHOL TEST STATUS	ALCOHOL TEST TYPE	ALCOHOL TEST VALUE	DRUG TEST STATUS	DRUG TEST TYPE
----------	-------------------------	----------	---	-------------------------------------	-----------	------------------------	---------------------	-------------------	--------------------	------------------	----------------

OFFENSE CHARGED (<input type="checkbox"/> LOCAL CODE)	OFFENSE DESCRIPTION	CITATION NUMBER	HANDS-FREE DEVICE USED <input type="checkbox"/>	DRIVER DISTRACTED BY <input type="checkbox"/>
--	---------------------	-----------------	--	--

INJURIES 1 - NO INJURY / NONE REPORTED 2 - POSSIBLE 3 - NON-INCAPACITATING 4 - INCAPACITATING 5 - FATAL	INJURED TAKEN BY 1 - NOT TRANSPORTED / TREATED AT SCENE 2 - EMS 3 - POLICE 4 - OTHER 9 - UNKNOWN	SAFETY EQUIPMENT USED MOTORIST 01 - NONE USED - VEHICLE OCCUPANT 02 - SHOULDER BELT ONLY USED 03 - LAP BELT ONLY USED 04 - SHOULDER AND LAP BELT ONLY USED NON-MOTORIST 05 - CHILD RESTRAINT SYSTEM-FORWARD FACING 06 - CHILD RESTRAINT SYSTEM-REAR FACING 07 - BOOSTER SEAT 08 - HELMET USED 09 - NONE USED 10 - HELMET USED 11 - PROTECTIVE PADS USED (ELBOWS, KNEES, ETC) 12 - REFLECTIVE COATING 13 - LIGHTING 14 - OTHER
--	---	---

SEATING POSITION 01 - FRONT - LEFT SIDE (MOTORCYCLE DRIVER) 02 - FRONT - MIDDLE 03 - FRONT - RIGHT SIDE 04 - SECOND - LEFT SIDE (MOTORCYCLE PASSENGER) 05 - SECOND - MIDDLE 06 - SECOND - RIGHT SIDE 07 - THIRD - LEFT SIDE (MOTORCYCLE SIDE CAR) 08 - THIRD - MIDDLE 09 - THIRD - RIGHT SIDE 10 - SLEEPER SECTION OF CAB (TRUCK) 11 - PASSENGER IN OTHER ENCLOSED CARGO AREA (NON-TRAILING UNIT SUCH AS A BUS, PICKUP WITH CAP) 12 - PASSENGER IN UNENCLOSED CARGO AREA 13 - TRAILING UNIT 14 - RIDING ON VEHICLE EXTERIOR (NON-TRAILING UNIT) 15 - NON-MOTORIST 16 - OTHER 99 - UNKNOWN	AIR BAG USAGE 1 - NOT DEPLOYED 2 - DEPLOYED FRONT 3 - DEPLOYED SIDE 4 - DEPLOYED BOTH FRONT/SIDE 5 - NOT APPLICABLE 9 - DEPLOYMENT UNKNOWN
--	--

EJECTION 1 - NOT EJECTED 2 - TOTALLY EJECTED 3 - PARTIALLY EJECTED 4 - NOT APPLICABLE	TRAPPED 1 - NOT TRAPPED 2 - EXTRICATED BY MECHANICAL MEANS 3 - EXTRICATED BY NON-MECHANICAL MEANS	OPERATOR LICENSE CLASS 1 - CLASS A 2 - CLASS B 3 - CLASS C 4 - REGULAR CLASS (OHIO'S "D") 5 - MC/MOPED ONLY	CONDITION 1 - APPARENTLY NORMAL 2 - PHYSICAL IMPAIRMENT 3 - EMOTIONAL (DEPRESSED, ANGRY, DISTURBE) 4 - ILLNESS	ALCOHOL/DRUG SUSPECTED 5 - FELL ASLEEP, FAINTED, FATIGUE 6 - UNDER THE INFLUENCE OF MEDICATIONS, DRUGS, ALCOHOL 7 - OTHER	ALCOHOL/DRUG SUSPECTED 1 - NONE 2 - YES - ALCOHOL SUSPECTED 3 - YES - HBD NOT IMPAIRED 4 - YES - DRUGS SUSPECTED 5 - YES - ALCOHOL AND DRUGS SUSPECTED
---	--	--	--	--	---

ALCOHOL TEST STATUS 1 - NONE GIVEN 2 - TEST REFUSED 3 - TEST GIVEN, CONTAMINATED SAMPLE/UNUSABLE 4 - TEST GIVEN, RESULTS KNOWN 5 - TEST GIVEN, RESULTS UNKNOWN	ALCOHOL TEST TYPE 1 - NONE 2 - BLOOD 3 - URINE 4 - BREATH 5 - OTHER	DRUG TEST STATUS 1 - NONE GIVEN 2 - TEST REFUSED 3 - TEST GIVEN, CONTAMINATED SAMPLE/UNUSABLE 4 - TEST GIVEN, RESULTS KNOWN 5 - TEST GIVEN, RESULTS UNKNOWN	DRUG TEST TYPE 1 - NONE 2 - BLOOD 3 - URINE 4 - OTHER	DRIVER DISTRACTED BY 1 - NO DISTRACTION REPORTED 2 - PHONE 3 - TEXTING /EMAILING 4 - ELECTRONIC COMMUNICATION DEVICE (NAVIGATION DEVICE, RADIO, DVD) 6 - OTHER INSIDE THE VEHICLE 7 - EXTERNAL DISTRACTION
---	--	--	---	--

UNIT NUMBER 1	NAME: LAST, FIRST, MIDDLE Smith, Kirkland, Robert	DATE OF BIRTH 10/06/1995	AGE 21	GENDER <input checked="" type="checkbox"/> M <input type="checkbox"/> F - FEMALE <input type="checkbox"/> M - MALE
------------------	--	-----------------------------	-----------	---

ADDRESS, CITY, STATE, ZIP 17 N 4Th St A, Newark, OH, 43055	CONTACT PHONE - INCLUDE AREA CODE 740-328-9652
---	---

INJURIES <input checked="" type="checkbox"/>	INJURED TAKEN BY <input checked="" type="checkbox"/>	EMS AGENCY	MEDICAL FACILITY INJURED TAKEN TO	SAFETY EQUIPMENT USED 04	DOT COMPLIANT MOTORCYCLE HELMET <input type="checkbox"/>	SEATING POSITION 03	AIR BAG USAGE <input checked="" type="checkbox"/>	EJECTION <input checked="" type="checkbox"/>	TRAPPED <input checked="" type="checkbox"/>
---	---	------------	-----------------------------------	-----------------------------	---	------------------------	--	---	--

UNIT NUMBER	NAME: LAST, FIRST, MIDDLE	DATE OF BIRTH	AGE	GENDER <input type="checkbox"/> F - FEMALE <input type="checkbox"/> M - MALE
-------------	---------------------------	---------------	-----	--

ADDRESS, CITY, STATE, ZIP	CONTACT PHONE - INCLUDE AREA CODE
---------------------------	-----------------------------------

INJURIES <input type="checkbox"/>	INJURED TAKEN BY <input type="checkbox"/>	EMS AGENCY	MEDICAL FACILITY INJURED TAKEN TO	SAFETY EQUIPMENT USED	DOT COMPLIANT MOTORCYCLE HELMET <input type="checkbox"/>	SEATING POSITION	AIR BAG USAGE <input type="checkbox"/>	EJECTION <input type="checkbox"/>	TRAPPED <input type="checkbox"/>
--------------------------------------	--	------------	-----------------------------------	-----------------------	---	------------------	---	--------------------------------------	-------------------------------------